



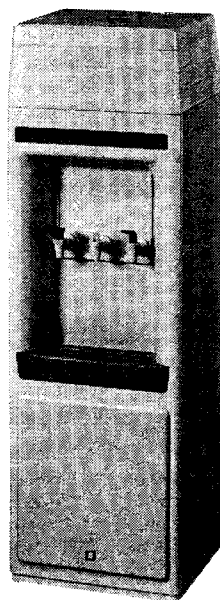
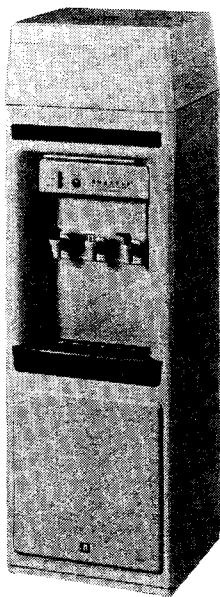
ILLUSTRATED PARTS BREAKDOWN

WATER COOLER MODELS:

PSR1LCK-D001, PSR1LCHK-D001

PHR1LCK-D001, PHR1LCHK-D001

PHF1LCK-D001, PHF1LCHK-D001



SPECIFICATIONS

MODELS: PSR1LCK-D001, PHR1LCK-D001 AND PHF1LCK-D001

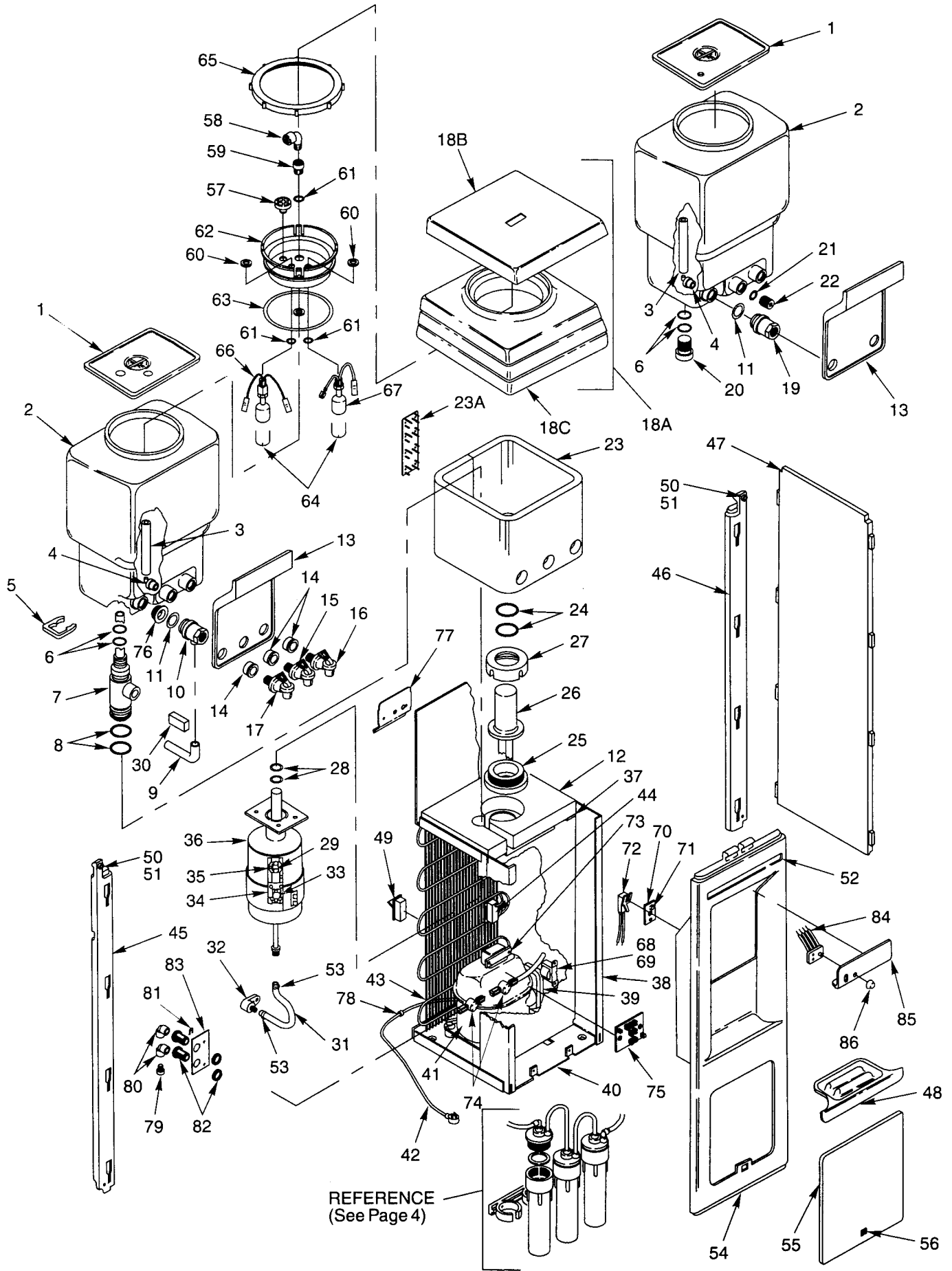
Voltage	115 VAC \pm 10%/1PH/60 Hertz
Size	44" H, 14" W, 14" D
Shipping Weight (Approx)	52 LBS.
Cold Water Capacity*	1 GPH
Compressor	1/20 HP
Compressor (Full Load)	1.1 Amps
Refrigerant	R-12
Refrigerant Charge	1-1/4 OZ (35 grams)

MODELS: PSR1LCHK-D001, PHR1LCHK-D001 AND PHF1LCHK-D001 ONLY

Voltage	115 VAC \pm 10%/1PH/60 Hertz
Size	44" H, 14" W, 14" D
Shipping Weight (Approx)	54 LBS
Cold Water Capacity*	1 GPH
Compressor	1/20 HP
Compressor (Full Load)	5.4 Amps
Refrigerant	R-12
Refrigerant Charge	1-1/4 OZ (35 grams)

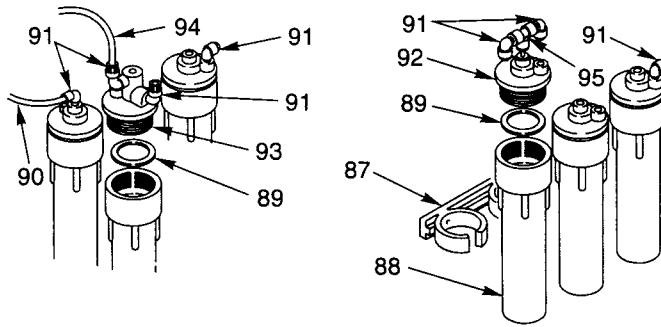
*A.R.I. Ratings: Room Temperature 90°F
Supply Water Temperature 90°F
Drinking Water Temperature 50°F

Specifications subject to change without notice.

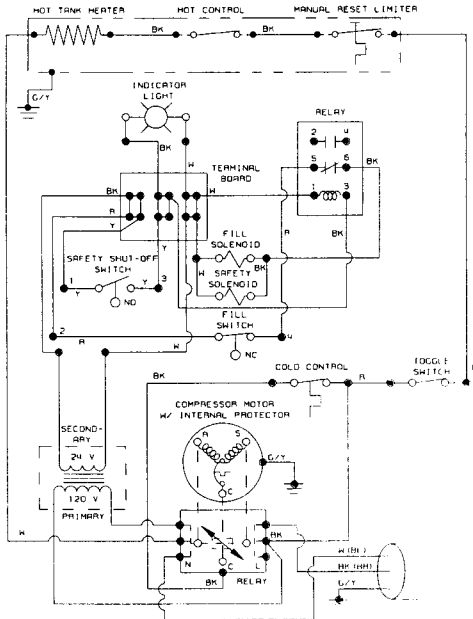


PARTS LIST

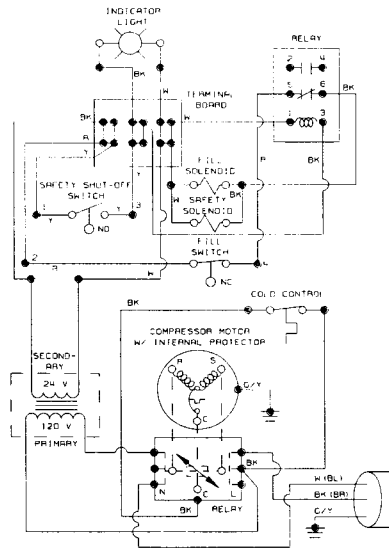
ITEM NO.	DESCRIPTION	MODEL (QTY)		ITEM NO.	DESCRIPTION	MODEL (QTY)	
		PSR1LCK PHR1LCK PHF1LCK	PSR1LCHK PHR1LCHK PHF1LCHK			PSR1LCK PHR1LCK PHF1LCK	PSR1LCHK PHR1LCHK PHF1LCHK
1	Baffle	030397-001	030595-002	48	Drip Tray-Gray	029740-001	029740-001
2	Reservoir	030866-002	030866-002		Drip Tray-Tan	029740-002	029740-002
3	Cook Tube	030689-003	030689-010	49	Hot Tank Switch	-----	029545-001
4	Fitting, Cook Tube	030587-002	030587-002	50	Sleeve, Top Retainer	030701-001	030701-001
5	Heating Tank Manifold Clip	-----	030603-001	51	Pin, Top Retainer	030702-001	030702-001
6	Hot Tank Fitting O-Ring	030858-300 (2)	030858-300 (2)	52	Nameplate, Ebtech (Eggshell)	031433-002	031433-002
7	Manifold Assembly	-----	030892-002		Nameplate, Ebtech (White)	031433-003	031433-003
8	O-Ring	-----	030858-301 (2)	53	Clamp	-----	026516
9	Outlet Hot Water Tube	-----	030602-001	54	Front Panel-White	031007-001	031007-001
10	Hot Faucet Assembly Fitting	-----	030889-002		Front Panel-Eggshell	031007-002	031007-002
11	Hot Fitting O-Ring	-----	030858-306		Front Panel-White (PSR Model)	031007-003	031007-003
12	Shelf Insulation	031233-002	031233-002		Front Panel-Eggshell (PSR Model)	031007-004	031007-004
13	Dress Plate-White	030394-001	030394-003	55	Panel, Access-White	028906-003	028906-003
	Dress Plate-Eggshell	030394-002	030394-004		Panel, Access-Eggshell	028906-004	028906-004
	Dress Plate (PSR Models)-White	030394-005	030394-007	56	Fastener, Pushlock	031015-001	031015-001
	Dress Plate (PSR Models)-Eggshell	030394-006	030394-008	57	Filter Assembly, Air	030957-001	030957-001
14	Male Faucet Gasket	030405-001 (2)	030405-001 (3)	58	Fitting, JG Elbow	029994-002	029994-002
15	Cook Faucet Assembly-White/White	030499-003	030499-003	59	Fitting, JG Connector	028483-001	028483-001
	Cook Faucet Assembly-Eggshell/White	030499-004	030499-001	60	Locknut	030056-001	030056-001
16	Cold Faucet Assembly-White/Blue	030499-004	030499-004	61	Gasket	028706-005	028706-005
	Cold Faucet Assembly-Eggshell/Blue	030499-002	030499-002	62	Cap, Reservoir	030699-001	030699-001
17	Hot Faucet Assembly-White/Red with Safety Handle	-----	030499-006	63	O-Ring, Reservoir Cap	031025-001	031025-001
	Hot Faucet Assembly-Eggshell/Red with Safety Handle	-----	030499-005	64	Slosh Guard	030650-001	030650-001
18A	Top Assembly-White Includes 18B and 18C	030588-001	030588-001	65	Reservoir Cap Ring	031079-001	031079-001
	Top Assembly-Eggshell Includes 18B and 18C	030588-002	030588-002	66	Float Assembly, Low Level	029999-004	029999-004
18B	Hinged Lid-White	030809-001	030809-001	67	Float Assembly, High Level	029998-004	029998-004
	Hinged Lid-Eggshell	030809-002	030809-002	68	Transformer	030074-006	030074-006
18C	Top-Lower-White	030551-001	030551-001	69	Shield, Transformer	030154-001	030154-001
	Top-Lower-Eggshell	030551-002	030551-002	70	Bracket, Light	030352-001	030352-001
19	Cook Faucet Extension Fitting	030510-002	-----	71	Lens, Light	030428-001	030428-001
20	Hot Tank Fitting Plug	030582-001	-----	72	Light	030351-001	030351-001
21	Cook Faucet Plug O-Ring	030858-206	-----	73	Relay, Switching	030315-002	030315-002
22	Cook Faucet Plug	030511-001	-----	74	Solenoid Valve	030674-003	030674-003
23	Reservoir Insulation	031233-001	031233-001	75	Terminal Base	023266	023266
23A	Insulation Fastener	031234-001	031234-001	76	Plug, Hot Faucet	-----	030511-003
24	Probe O-Ring	030858-403 (2)	030858-403 (2)	77	Handle	029562-001	029562-001
25	Probe Retainer Cap	030399-001	030399-001	78	Strain Relief Bushing	019008	019008
26	Probe and Heat Exchanger Assembly	030589-002	030589-002	79	Plug, 1/4 O.D.	030569-001	030569-001
27	Probe Retainer Collar	030398-001	030398-001	80	Fitting Assembly	029139-001	029139-001
28	O-Ring, Hot Tank Manifold	-----	030858-202 (2)	81	Locking Clip, JG 1/4 O.D.	030166-002	030166-002
29	Thermostat Mounting Clip	-----	028422-001 (2)	82	Bulkhead Union Fitting	028913-003	028913-003
30	Insulation, Hot Manifold	-----	031237-001	83	Bracket	030034-001	030034-001
31	Extension Tube	-----	029540-003	MODEL (QTY)			
32	Drain Valve Assembly	-----	029935-001	ITEM NO.	DESCRIPTION	PSR1LCK-D PSR1LCHK-D	PHR1LCK-D PHR1LCHK-D PHF1LCK-D PHF1LCHK-D
33	Heat Limiter (with Mounting Clip)	-----	028604-002	84	Circuit Board Assembly	030718-002	-----
34	Heat Limiter Retainer Clip	-----	028666-001	85	Facia Plate-White	030418-003	-----
35	Hot Control (with Mounting Clip)	-----	028603-001		Facia Plate-Eggshell	030418-004	-----
36	Hot Tank Assembly	-----	030596-001	86	Pushbutton	030417-001	-----
37	Shelf	029953-002	029953-002	87	Bracket, Filter Housing	029922-001	029922-001
38	Column Support	029927-003	029927-003	88	Bottom, Filter Housing	029925-001	029925-001
39	Relay, Compressor	026867	026867	89	Seal, O-ring	031456-001	031456-001
40	Base	020513-002	020513-002	90	46" Tube, Parflex-Blue (Reverse Osmosis only)	029991-006	029991-006
41	Compressor Assembly	026868-001	026868-001		46" Tube, Restrictor (Filter only)	-----	030390-001
42	Power Supply Cord Assembly	026540-003	026540-003	91	Fitting, Plug in Elbow	029994-003	029994-003
43	Condenser	028357-001	028357-001	92	Top, Filter Housing	029926-001	029926-001
44	Cold Control	027040-020	027040-020	93	Top, Filter Housing (Reverse Osmosis Model)	029984-001	029984-001
45	Left Rear Corner Panel (with Hole) White	030586-001	030586-001	94	Tube, Parflex (Reverse Osmosis Drain)	030390-002	030390-002
	Eggshell	030586-002	030586-002	95	Fitting, Union Tee	029199-002	029199-002
46	Right Rear Corner Panel (with Hole) White	030859-001	030859-001	Not Shown			
	Eggshell	030859-002	030859-002	Shipping Carton		030883-001	030883-001
47	Side Panel-White	028648-001 (2)	028648-001 (2)	Tubing, Bulk 1/4 Natural		029959-003	029959-003
	Side Panel-Eggshell	028648-002 (2)	028648-002 (2)	Tubing, Bulk 1/4 Blue		029959-002	029959-002
				Tube, Strain Relief		030553-002	030553-002



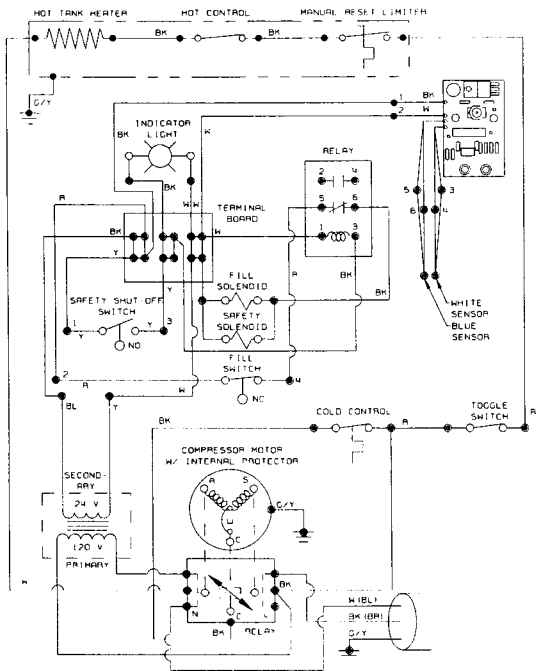
ELECTRICAL DIAGRAMS



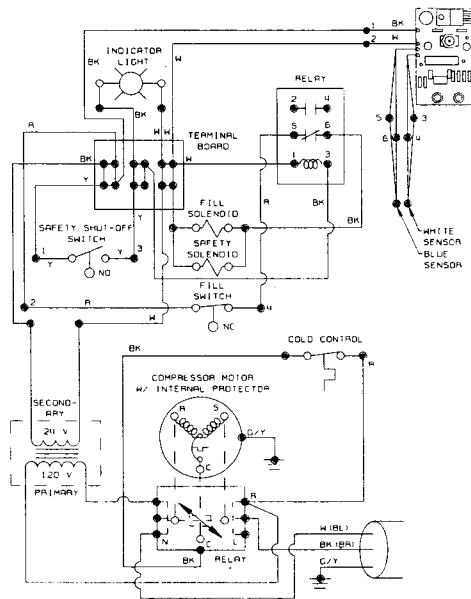
PHF1LCHK-D001, PHR1LCHK-D001



PHF1LCK-D001, PHR1LCK-D001



PSR1LCHK-D001



PSR1LCK-D001

Ebtech® Corporation

265 N. Hamilton Rd • P. O. Box 13150 • Columbus OH
Phone: 614/861-1350 • Fax: 614/861-5017

Printed in the U.S.A.

Copyright 1994 Ebtech Corporation