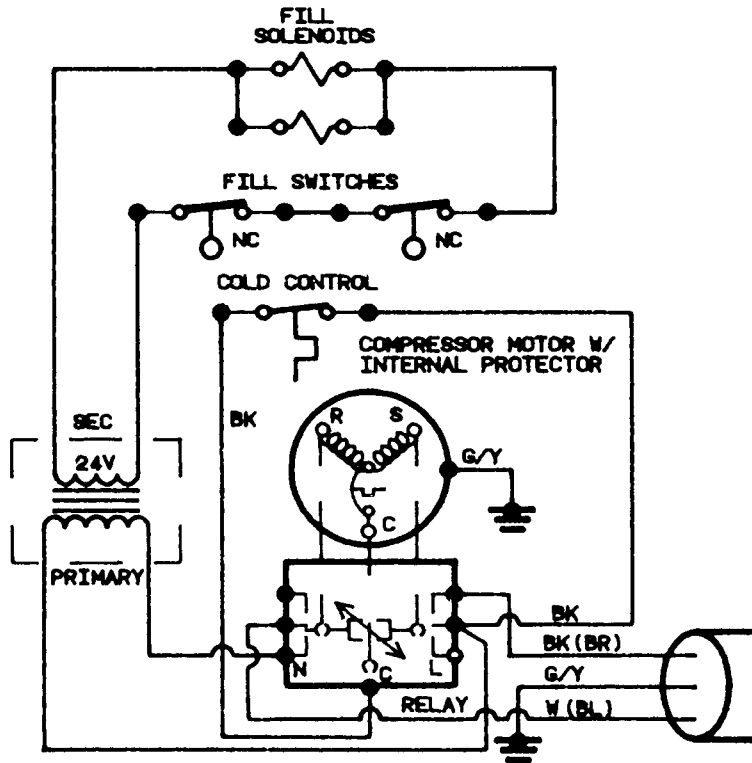
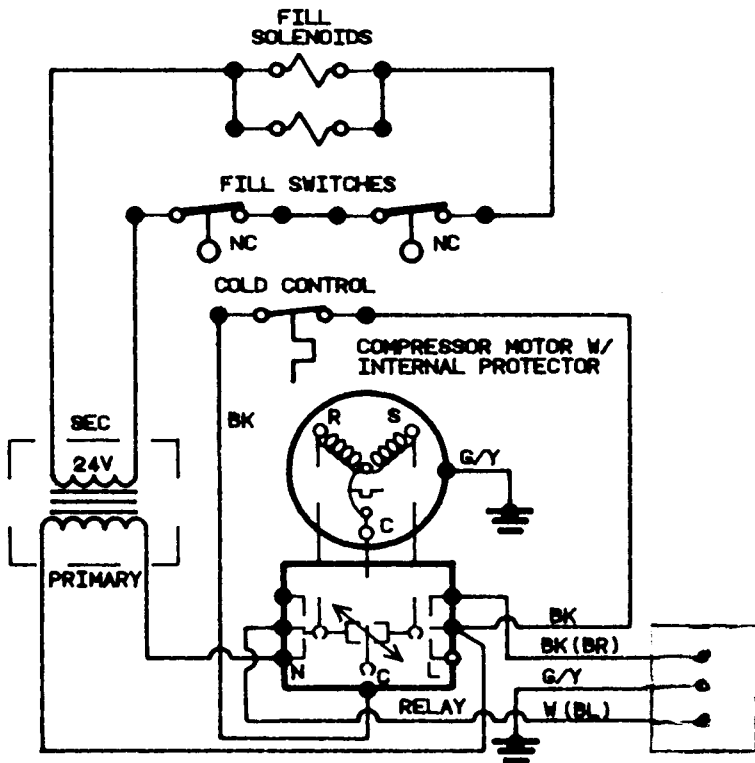


ITEM NO.	DESCRIPTION	POU1LMK-D	POU1LMKY-D
1	Baffle.....	030595-001	030595-001
2	Reservoir.....	030866-004	030866-004
3	Cook Tube.....	030689-003	030689-003
4	Cook Tube Fitting	030587-002	030587-002
5	O-Ring.....	030858-300	030858-300
6	Hot Tank Fitting Plug	030582-001	030582-001
7	Cook Faucet Plug	030511-001	030511-001
8	Cook Faucet Plug O-Ring	030858-206	030858-206
9	Cook Faucet Extension FTG	030510-002	030510-002
10	O-Ring.....	030858-306	030858-306
11	Faucet Spacer	031228-001	031228-001
12	Faucet Gasket.....	030405-001	030405-001
13	Faucet & Lever Assy.	030499-007	030499-007
14	Faucet Lever	031022-001	031022-001
15	Top.....	031072-001	031072-001
16	Reservoir Insulation	031233-001	031233-001
17	Insulation Fastener.....	031234-001	031234-001
18	O-Ring.....	030858-403	030858-403
19	Probe Retainer Cap	030399-001	030399-001
20	Probe & Heat Exchanger Assy.	030589-004	030589-004
21	Probe Retainer Collar	030398-001	030398-001
22	Shelf Insulation.....	031233-002	031233-002
23	Shelf.....	029953-002	029953-002
24	Condenser	028357-001	028357-001
25	Column Support	031048-001	031048-001
26	Transformer	030074-012	030074-015
27	Solenoid Valve	031218-001	031218-001
28	Relay.....	026867	026309
29	Base.....	020513-002	020513-002
30	FTG, JG Stem Adaptor	028687-001	028687-001
31	Compressor Assy. (Includes #28)	026868-001	026883-001
32	J.G. Union Elbow ¼"	028481-001	028481-001
33	Tube & Plate Assy.	031486-001	031486-001
34	Cold Thermostat.....	027040-020	027040-020
35	Handle.....	029562-001	029562-001
36	Front Panel.....	031075-001	031075-001
37	Drip Tray	030864-002	030864-002
38	Valve Cover.....	030862-004	030862-004
39	Reservoir Cap Ring	031079-001	031079-001
40	FTG, JG Elbow	029994-002	029994-002
41	FTG, JG Connector	028483-001	028483-001
42	Gasket.....	028706-005	028706-005
43	Cap, Reservoir	030699-001	030699-001
44	Locknut	030056-001	030056-001
45	Gasket.....	031025-001	031025-001
46	FTG, JG Male Connector	028483-001	028483-001
47	Float Assy. (Includes #48)	029999-004	029999-004
48	Slosh Guard Assy.	030650-001	030650-001
49	Side Panel	031047-001	031047-001
50	Service Cord Assy/Power Inlet	026540-003	030325-001
51	Filter.....	030957-001	030957-001



POU1LMK-D



POU1LMKY-D