



## ILLUSTRATED PARTS BREAKDOWN

**MODELS: B1ED-D100, B1ED-D101  
 B1EDK-D100, B1EDK-D101  
 B1EDHS-D200, B1EDHS-D201  
 BPG1EDHS-D200, BPG1EDHS-D201**



### SPECIFICATIONS

**MODELS: B1ED-D100, B1ED-D101  
 B1EDK-D100, B1EDK-D101**

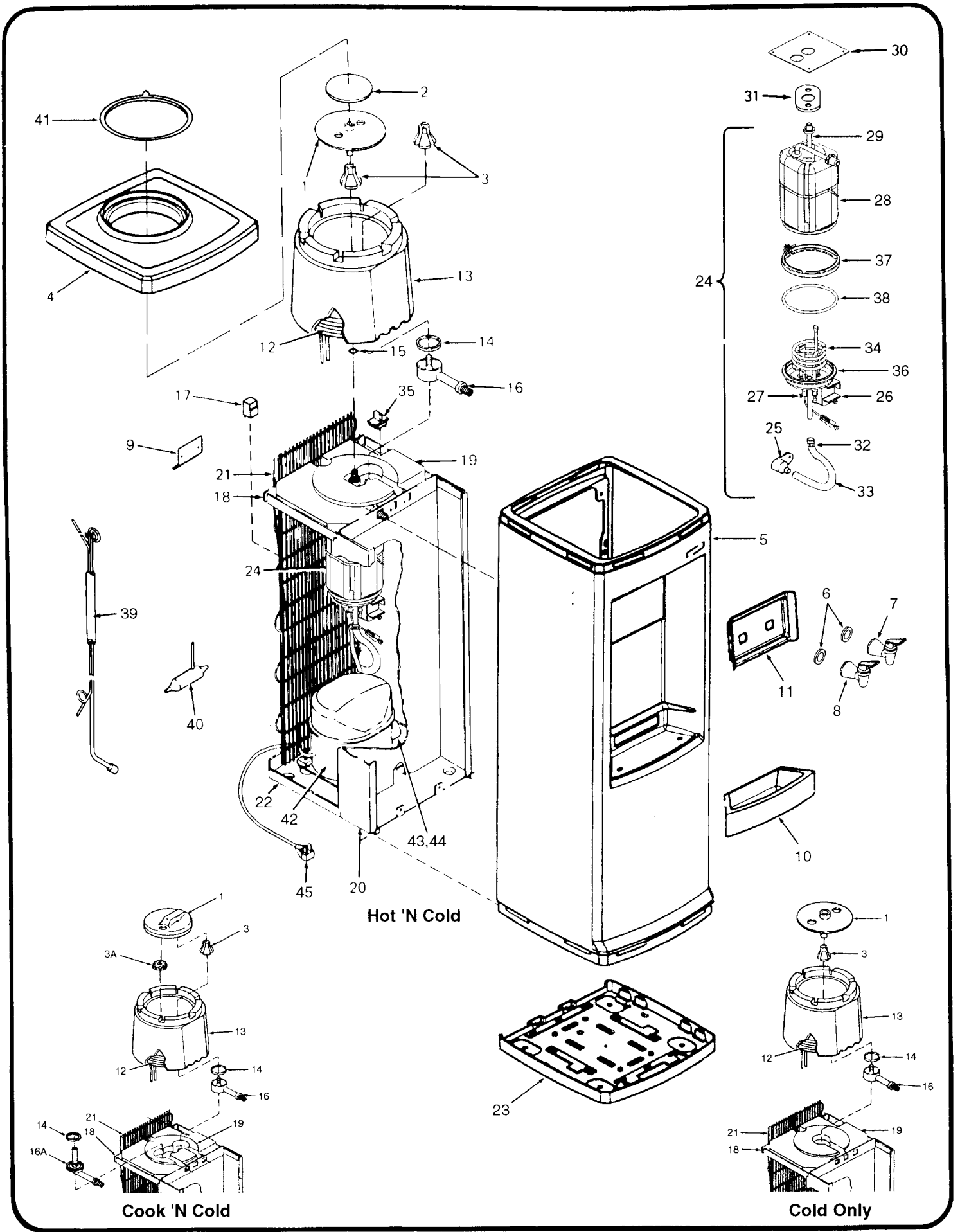
Voltage	115 VAC $\pm$ 10%/1PH/60 Hertz
Size	38-5/8" H., 13-1/2" W., 13 7/8" D.
Shipping Weight (Approx)	48 LBS.
Cold Water Capacity*	0.6 GPH
Compressor	1/20 HP
Compressor (Full Load)	1.2 Amps
Refrigerant	134A
Refrigerant Charge	1.4 OZ. (39 GRAMS)

**MODELS: B1EDHS-D200, B1EDHS-D201  
 BPG1EDHS-D200, BPG1EDHS-D201**

Voltage	115 VAC $\pm$ 10%/1PH/60 Hertz
Size	38-5/8" H., 13-1/2" W., 13 7/8" D.
Shipping Weight (Approx)	54 LBS.
Cold Water Capacity*	0.6 GPH
Compressor	1/20 HP
Compressor (Full Load)	5.5 Amps
Refrigerant	134A
Refrigerant Charge	1.4 OZ. (39 GRAMS)

\* A.R.I. Rating: Room Temperature 90°F; Supply Water Temperature 80°F; Drinking Water Temperature 50°F.

Specifications subject to change without notice.



## PARTS LIST

ITEM NO.	DESCRIPTION	B1ED-D100	B1EDK-D100	B1EDHS-D200	BPG1EDHS-D200
		B1ED-D101	B1EDK-D101	B1EDHS-D201	BPG1EDHS-D201
1	Baffle .....	024398	028998-001	024398	024398
2	Deflector .....	-----	-----	024402	024402
3	Cooling Tank Fitting .....	020485	020485	020485	020485
3A	Cooling Tank Fitting .....	-----	028302-002	-----	-----
4	Top .....	032603-001	032603-001	032603-001	032603-001
5	Cabinet, Retrofit .....	032601-001	032601-001	032601-001	032601-001
6	Faucet Gasket .....	025568-003	025568-003	025568-003	025568-003
7	Faucet, Cold Whi/Blu .....	032135-004	032135-004	032135-004	032135-004
8	Faucet, Cook Whi/Whi .....	-----	032135-006	-----	-----
8	Faucet, Hot Whi/Red .....	-----	-----	032135-014	032135-005
9	Handle Assembly .....	029562-001	029562-001	029562-001	029562-001
10	Drip Tray .....	031581-004	031581-004	031581-004	031581-004
11	Dress Plate .....	032610-001	032608-001	032608-001	032608-001
12	Cooling Tank Assembly .....	030608-001	030608-002	030608-003	030608-003
13	Cooling Tank Insulation .....	027891-001	027891-001	027891-001	027891-001
14	Gasket (Water Outlet Tube) .....	027139	027139	027139	027139
15	Gasket (Hot Tank Inlet) .....	027965-001	027965-001	027965-001	027965-001
16	Water Outlet Tube .....	020484-002	020484-002	020484-002	020484-002
16A	Water Outlet Tube .....	-----	028291-002	-----	-----
17	Cold Control .....	027040-022	027040-022	027040-022	027040-022
18	Shelf .....	020501	020501	020501	020501
19	Shelf Insulation .....	020483-001	028289-001	025560	025560
20	Support Column .....	020507-005	020507-005	020507-005	020507-005
21	Condenser .....	028357-003	028357-003	028357-003	028357-003
22	Base .....	020513-002	020513-002	020513-002	020513-002
23	Base, Plastic .....	032602-001	032602-001	032602-001	032602-001
24	Hot Tank Assembly .....	-----	-----	032946-001	032946-001
25	Hot Tank Drain Valve .....	-----	-----	032817-001	032817-001
26	Thermostat .....	-----	-----	032732-001	032732-001
27	Heat Limiter Assembly .....	-----	-----	032731-002	032731-002
28	Insulation, Hot Tank .....	-----	-----	032734-001 (2)	032734-001 (2)
29	Body & Head Assy, Hot Tank .....	-----	-----	032822-006	032822-006
30	Hot Tank Mounting Bracket .....	-----	-----	025549	025549
31	Hot Tank Spacer .....	-----	-----	025547-001	025547-001
32	Tube Clamp .....	-----	-----	026516	026516
33	Extension Tube .....	-----	-----	033072-002	033072-002
34	Element, Hot Tank .....	-----	-----	032487-001	032487-001
35	Switch, Hot Tank, Breaker .....	-----	-----	032840-001	032840-001
36	Lower Hot Tank Assembly .....	-----	-----	032888-001	032888-001
37	V-Coupling, Clamp .....	-----	-----	032729-001	032729-001
38	O-Ring, Heater Pan .....	-----	-----	030858-402	030858-402
39	Heat Exchanger .....	030749-002	030749-002	030749-002	030749-002
40	Drier .....	031593-002	031593-002	031593-002	031593-002
41	Dust Cover .....	029536-001	029536-001	029536-001	029536-001

**NOT SHOWN**

Strain Relief Bushing (Service Cord Retainer) .....	019008
Hairpin, Cotter .....	026996
Compressor Grommet .....	018566
Compressor Flat Washer .....	027484-003
Shipping Carton .....	019041-003

**SEE PAGE 4 FOR COMPRESSORS AND SERVICE CORDS**

**COMPRESSORS AND SERVICE CORDS**

**USED ON MODELS:**  
**B1ED-D100, B1EDK-D100**  
**B1EDHS-D200, BPG1EDHS-D200**

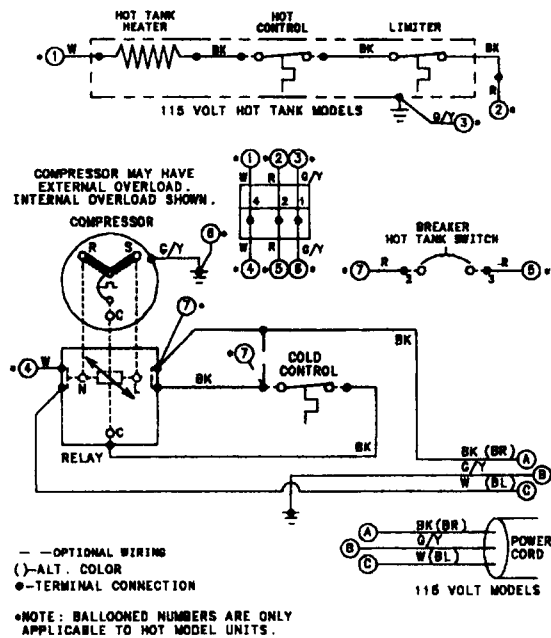
42	*Compressor .....	031530-001
43	Relay .....	026867
44	Overload .....	Internal
45	Service Cord .....	026540-042

**USED ON MODELS:**  
**B1ED-D101, B1EDK-D101**  
**B1EDHS-D201, BPG1EDHS-D201**

42	*Compressor .....	031530-007
43	Relay .....	025817-007
44	Overload .....	028707-007
45	Service Cord .....	026540-047

\*NOTE: Compressors include relay and overload.

**ELECTRICAL DIAGRAM**



**USED ON MODELS:**  
**B1ED-D100, B1ED-D101**  
**B1EDK-D100, B1EDK-D101**  
**B1EDHS-D200, B1EDHS-D201**  
**BPG1EDHS-D200, BPG1EDHS-D201**

**OASIS® CORPORATION**

265 N. Hamilton Rd. • P.O. Box 13150 • Columbus, OH 43213-0150  
 614/861-1350 • Fax 614/861-5017

Printed in the U.S.A.  
 Copyright 1997 OASIS Corporation  
 OASIS® and Palm Trees are registered trademarks of OASIS Corporation