



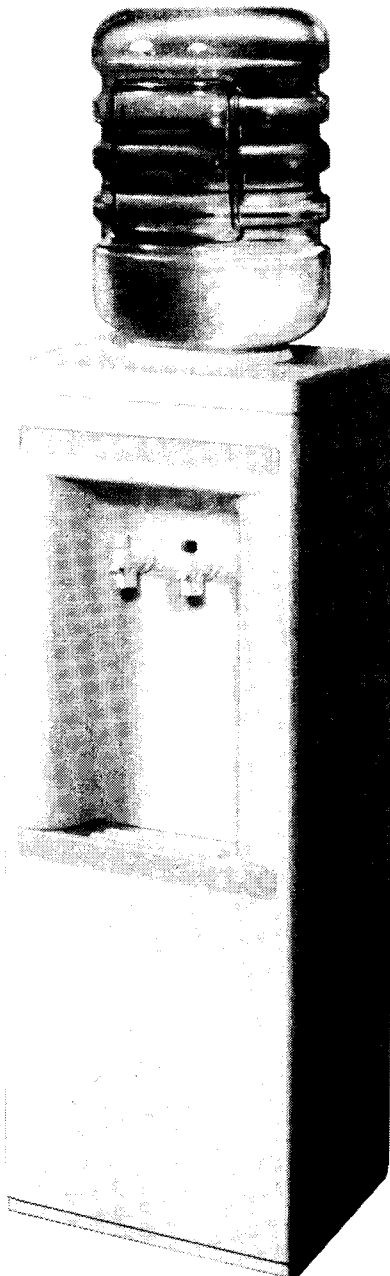
AQUARIUS

Kelvinator

White-Westinghouse®

ILLUSTRATED PARTS BREAKDOWN

WATER COOLER MODELS:
BLF1EK-100 BLF1EK-P100
BLF1EK-D100 BLF1EKY-D100



SPECIFICATIONS

FOR ALL MODELS EXCEPT BLF1EKY-D100

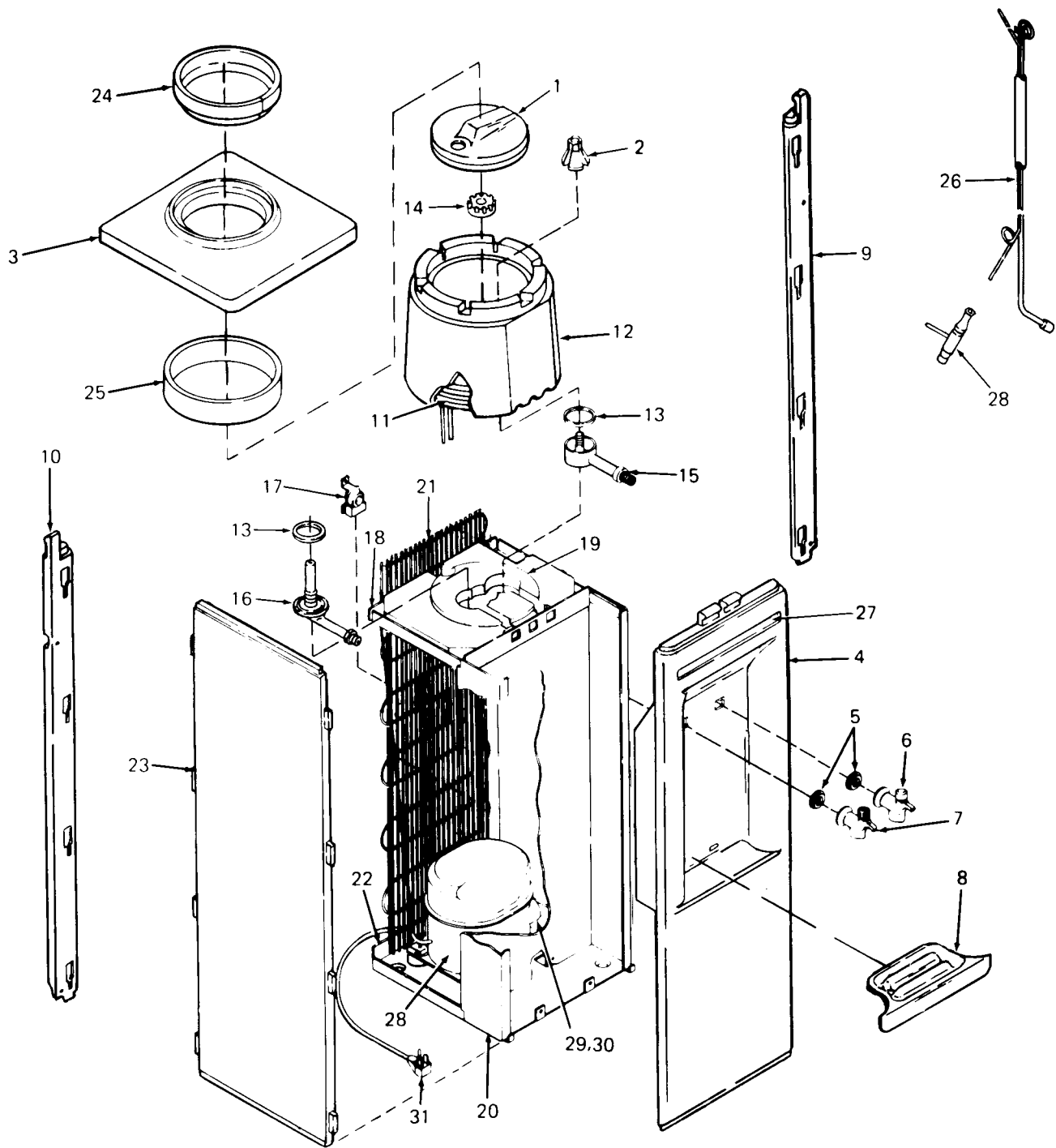
Voltage	115 VAC ±10%/1PH/60 Hertz
Size	38-3/8" H., 13-1/2" W., 13-1/8" D.
Shipping Weight (Approx)	45 LBS.
Cold Water Capacity*	0.6 GPH
Compressor	1/20 HP
Compressor (Full Load)	1.2 Amps
Refrigerant	R-134A
Refrigerant Charge	1-1/2 OZ. (43 GRAMS)

FOR MODEL BLF1EKY-D100 ONLY

Voltage	220-240 VOLT 50/60 Hertz
Size	38-3/8" H., 13-1/2" W., 13-1/8" D.
Shipping Weight (Approx)	45 LBS.
Cold Water Capacity*	0.6 GPH
Compressor	1/20 HP
Compressor (Full Load)	.6 Amps
Refrigerant	R-134A
Refrigerant Charge	1-1/2 OZ. (43 GRAMS)

*A.R.I. Ratings: Room Temperature 90°F; Supply Water Temperature 90°F; Drinking Water Temperature 50°F.

Specifications subject to change without notice.



PARTS LIST

ITEM NO.	DESCRIPTION	PART NUMBERS
1	Baffle	028998-001
2	Cold Cooling Tank Fitting	020485
3	Top – White	028654-001
	Top – Eggshell	028654-002
4	Front Panel – White (Does not include trimplate)	029745-002
	Front Panel – Eggshell (Does not include trimplate)	029745-005
5	Faucet Gasket – White	025568-003
6	Cold Faucet – White w/Blue	025943-010
	Cold Faucet – Almond w/Blue (Used w/eggshell panels)	025943-016
7	Cook Faucet – White	025943-012
	Cook Faucet – Almond (Used w/eggshell panels)	025943-017
8	Drip Tray – Gray (Deeper tray used w/new style white front panel)	029740-001
	Drip Tray – Tan (Used w/eggshell panels)	029740-002
9	Right Rear Corner Post – White	028651-003
	Right Rear Corner Post – Eggshell	028651-004
10	Left Rear Corner Post – White	028652-003
	Left Rear Corner Post –Eggshell	028652-004
11	Cooling Tank Assembly	030608-002
12	Cooling Tank Insulation	027891-001
13	Cook and Cold Water Outlet Tube Gasket	027139
14	Cook Cooling Tank Fitting	028302-002
15	Cold Water Outlet Tube	020484-002
16	Cook Water Outlet Tube	028291-002
17	Cold Control	027040-022
18	Shelf	020501
19	Shelf Insulation	028289-001
20	Support Column	020507-005
21	Condenser	028357-003
22	Base	020513
23	Side Panel – White	028648-003
	Side Panel – Eggshell	028648-004
24	Water Guard Bottle Gasket – White (BLF1EKY-D100 Only)	026757-003
25	Air Filter Ring (BLF1EKY-D100 Only)	026972
26	Heat Exchanger Assembly (Drier not included)	030749-002
27	Trimplate – Oasis – Gray	028890-001
	Trimplate – Oasis – Eggshell	029659-001
28	Drier	031593-001

NOT SHOWN

Strain Relief Bushing (Service cord retainer)	019008
Speednut (Which holds side panel on)	026760
Compressor Clip	026996
Compressor Grommet	018566
Compressor Flat Washer	027484-001
Handle Assembly	029562-001
Dust Cover	029536-001
Shipping Carton	028520-001

ACCESSORY PART

Base Pan (Plastic floor guard)	030454-001
--------------------------------------	------------

SEE PAGE 4 FOR COMPRESSORS AND SERVICE CORDS

COMPRESSORS AND SERVICE CORDS

USED ON MODEL BLF1EK-100

28	*Compressor	030972-002
29	Relay	025817-004
30	Overload	028707-003
31	Service Cord	026540-010

USED ON MODEL BLF1EK-P100

28	*Compressor	031721-001
29	Relay	027709-002
30	Overload	Internal
31	Service Cord	026540-003

USED ON MODEL BLF1EK-D100

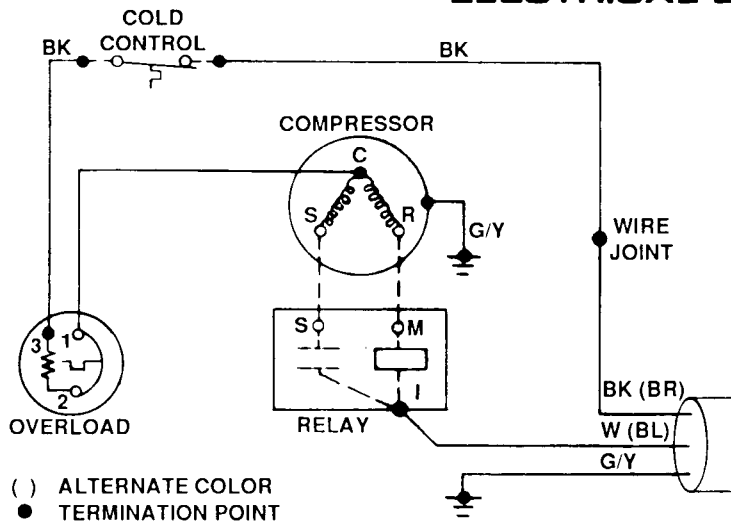
28	*Compressor	031530-001
29	Relay	026867
30	Overload	Internal
31	Service Cord	026540-003

USED ON MODEL BLF1EKY-D100

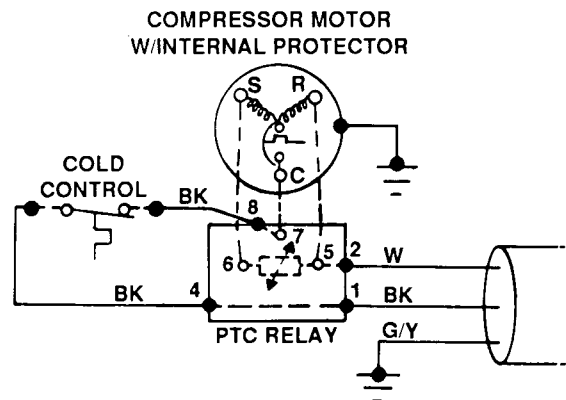
28	*Compressor	031530-004
29	Relay	026309
30	Overload	Internal
	Cord Set Not Included	
	Power Inlet	030325-001

*NOTE: Compressors include relay and overload.

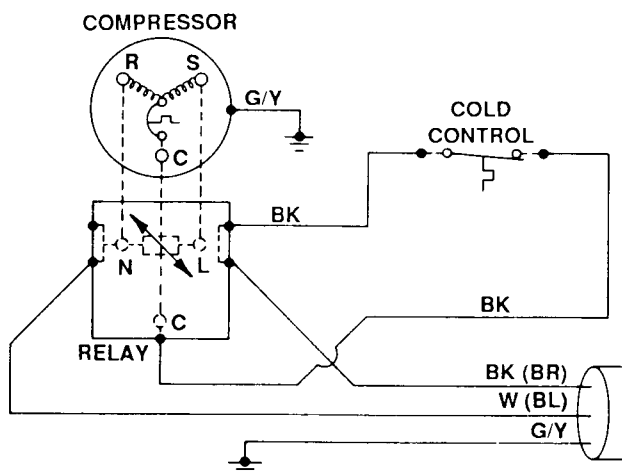
ELECTRICAL DIAGRAM



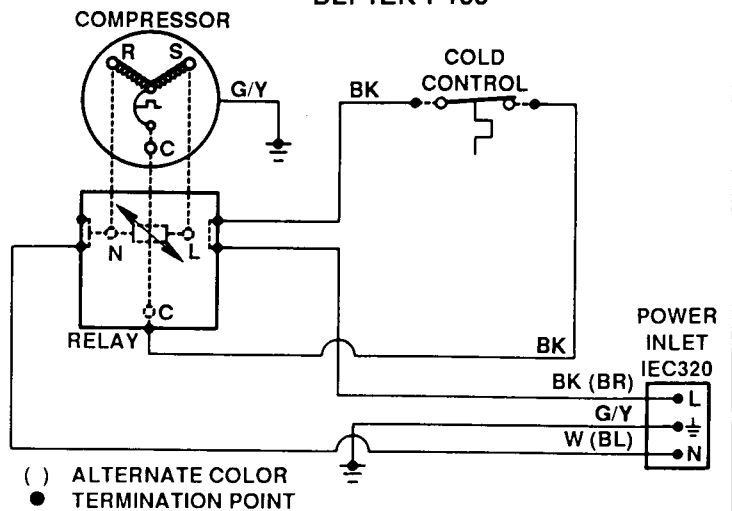
BLF1EK-100



BLF1EK-P100



BLF1EK-D100



BLF1EKY-D100

OASIS® & AQUARIUS® are registered trademarks of EBCO Manufacturing Company
The trademarks Kelvinator® and White-Westinghouse® are used under license from White Consolidated Industries, Inc.

EBCO® MANUFACTURING COMPANY

265 N. Hamilton Rd. • P.O. Box 13150 • Columbus, OH 43213-0150 • 614/861-1350 • Fax: 614/861-5017

Printed in U.S.A.
Copyright 1994 EBCO Manufacturing Co.