



**AQUARIUS**

*Kelvinator*

White-Westinghouse®

# ILLUSTRATED PARTS BREAKDOWN

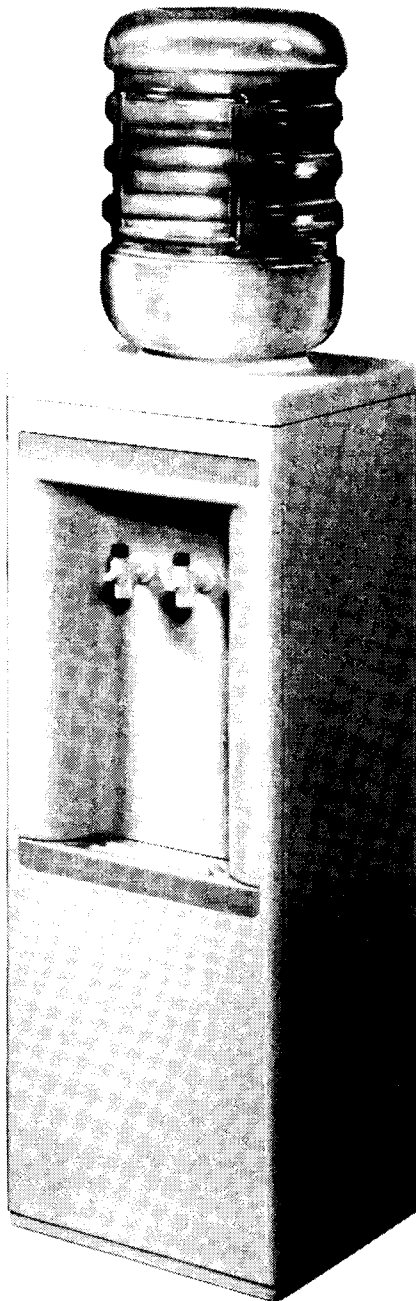
## WATER COOLER MODELS:

**BLF1EHS-100**

**BLF1EHS-P100**

**BLF1EHS-D100**

**BLF1EHSY-D100**



## SPECIFICATIONS

### FOR ALL MODELS EXCEPT BLF1EHSY-D100

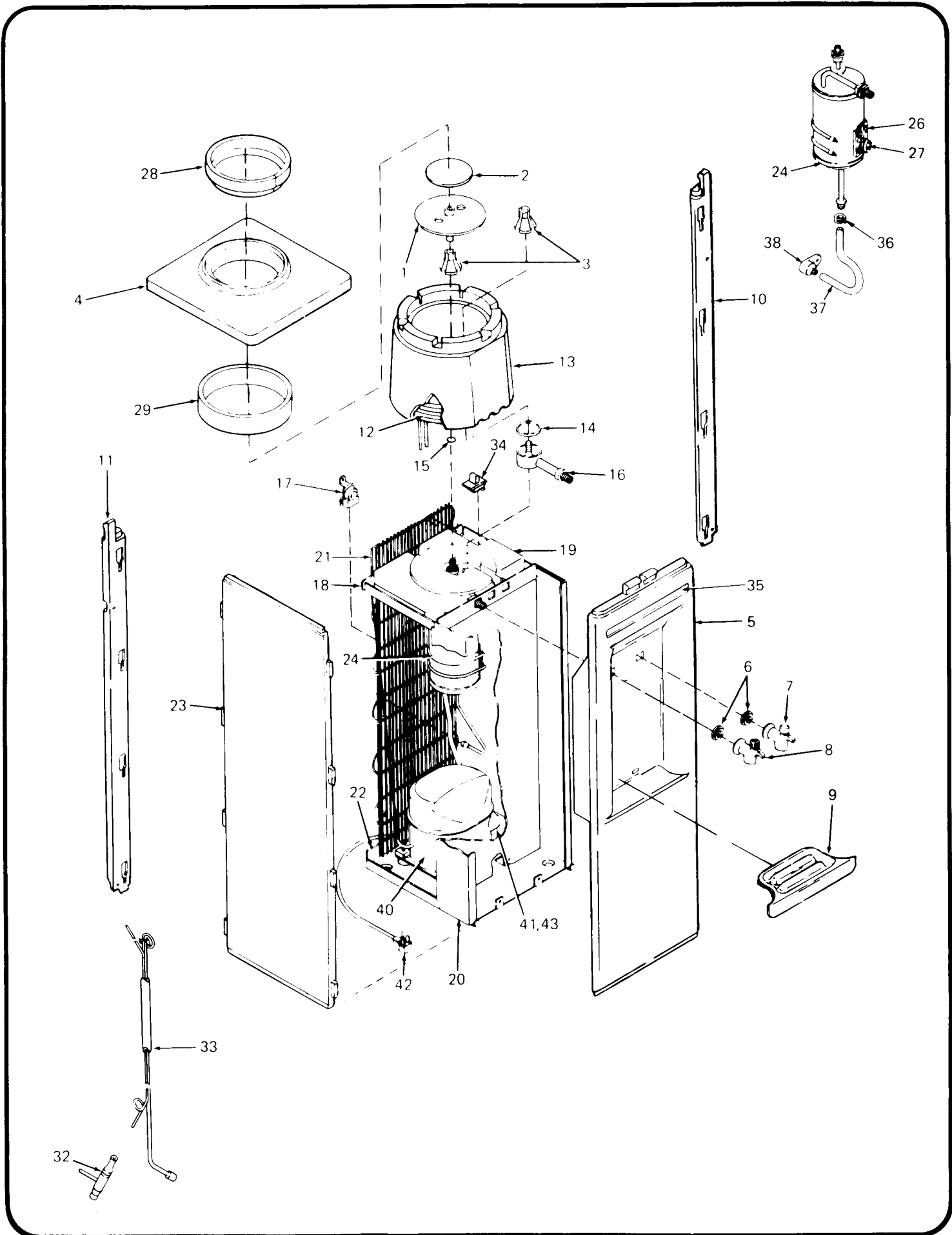
Voltage	115 VAC ±10%/1PH/60 Hertz
Size	38-3/8" H., 13-1/2" W., 13-1/8" D.
Shipping Weight (Approx)	50 LBS.
Cold Water Capacity*	0.6 GPH
Compressor	1/20 HP
Compressor (Full Load)	5.5 Amps
Refrigerant	R-134A
Refrigerant Charge	1-1/2 OZ. (43 GRAMS)

### FOR MODEL BLF1EHSY-D100 ONLY

Voltage	220-240 Volt 50/60 Hertz
Size	38-3/8" H., 13-1/2" W., 13-1/8" D.
Shipping Weight (Approx)	50 LBS.
Cold Water Capacity*	0.6 GPH
Compressor	1/20 HP
Compressor (Full Load)	2.8 Amps
Refrigerant	R-134A
Refrigerant Charge	1-1/2 OZ. (43 GRAMS)

\*A.R.I. Ratings: Room Temperature 90°F; Supply Water Temperature 90°F; Drinking Water Temperature 50°F.

Specifications subject to change without notice.



# PARTS LIST

ITEM NO.	DESCRIPTION	PART NUMBER
1	Baffle .....	024398
2	Deflector .....	024402
3	Cooling Tank Fitting .....	020485
4	Top – White .....	028654-001
	Top – Eggshell .....	028654-002
5	Front Panel – White (Does not include Trimplate) .....	029745-002
	Front Panel – Eggshell (Does not include Trimplate) .....	029745-005
6	Faucet Gasket – White .....	025568-003
7	Cold Faucet – White w/Blue .....	025943-010
	Cold Faucet – Almond w/Blue (Used w/eggshell panels) .....	025943-016
8	Hot Faucet – White w/Red .....	025943-011
	Hot Faucet – Almond w/Red (Used w/eggshell panels) .....	025943-018
9	Drip Tray – Gray (Used w/white front panel) .....	029740-001
	Drip Tray – Tan (Used w/eggshell front panel) .....	029740-002
10	Right Rear Corner Post –White .....	028651-003
	Right Rear Corner Post –Eggshell .....	028651-004
11	Left Rear Corner Post – White .....	028652-003
	Left Rear Corner Post – Eggshell .....	028652-004
12	Cooling Tank Assembly .....	030608-003
13	Cooling Tank Insulation .....	027891-001
14	Gasket (Water Outlet Tube) .....	027139
15	Gasket (Hot Tank Inlet) .....	027965-001
16	Water Outlet Tube .....	020484-002
17	Cold Control .....	027040-022
18	Shelf .....	020501
19	Shelf Insulation .....	025560
20	Support Column .....	020507-005
21	Condenser .....	028357-003
22	Base .....	020513
23	Side Panel – White .....	028648-003
	Side Panel – Eggshell .....	028648-004
24	Hot Tank Assembly – 115 Volt .....	028618-001
	Hot Tank Assembly – 230 Volt .....	028618-009
25	Thermostat Clip .....	028422-001
26	Thermostat Kit w/Clip .....	028603-002
27	Heat Limiter Kit w/Clip .....	028604-002
28	Water Guard Bottle Gasket – White (BLF1EHSY-D100 Only) .....	026757-003
29	Air Filter (BLF1EHSY-D100 Only) .....	026972
30	Hot Tank Mounting Bracket .....	025549
31	Hot Tank Spacer .....	025547
32	Drier .....	031593-001
33	Heat Exchanger (Drier Not Included) .....	030749-002
34	Rocker Switch .....	029545-001
35	Trimplate – Oasis – Gray .....	028890-001
	Trimplate – Oasis – Eggshell .....	029659-001
36	Tube Clamp .....	026487-002
37	Extension Tube .....	029540-002
38	Drain Valve Assembly .....	029935-001

**NOT SHOWN**

Strain Relief Bushing (Service Cord Retainer) .....	019008
Speednut (Which Holds Side Panel On) .....	020938
Compressor Clip .....	026996
Compressor Grommet .....	018566
Compressor Flat Washer .....	027484-001
Handle Assembly .....	029562-001
Dust Cover .....	029536-001
Shipping Carton .....	028520-001

SEE PAGE 4 FOR COMPRESSORS AND SERVICES CORDS

**COMPRESSORS AND SERVICE CORDS**

**USED ON MODEL BLF1EHS-D100**

40	*Compressor .....	031530-001
41	Relay .....	026867
42	Service Cord .....	026540-003

**USED ON MODEL BLF1EHS-100**

40	*Compressor .....	030972-002
41	Relay .....	025817-004
42	Service Cord .....	026540-003
43	Overload .....	028707-003

**USED ON MODEL BLF1EHS-P100**

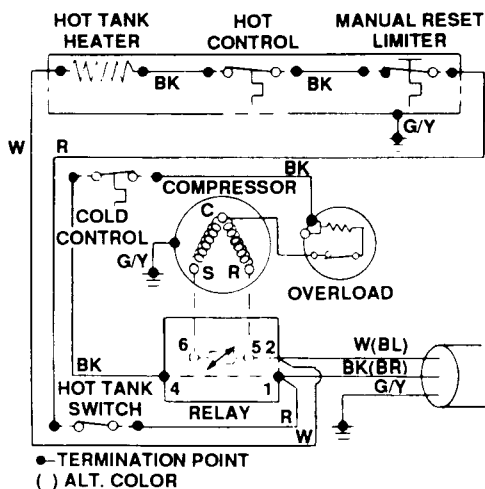
40	*Compressor .....	031721-001
41	Relay .....	027709-002
42	Service Cord .....	026540-003

**USED ON MODEL BLF1EHSY-D100**

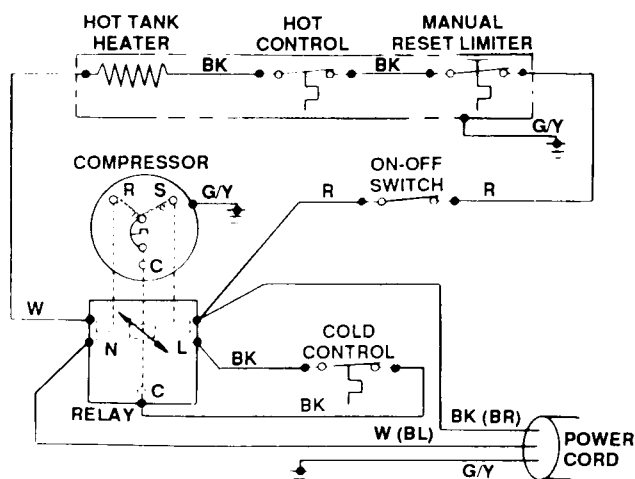
40	*Compressor .....	031530-004
41	Relay .....	026309
	Cord Set Not Included .....	
	Power Inlet .....	030325-001

\*NOTE: Compressors include relay and overload.

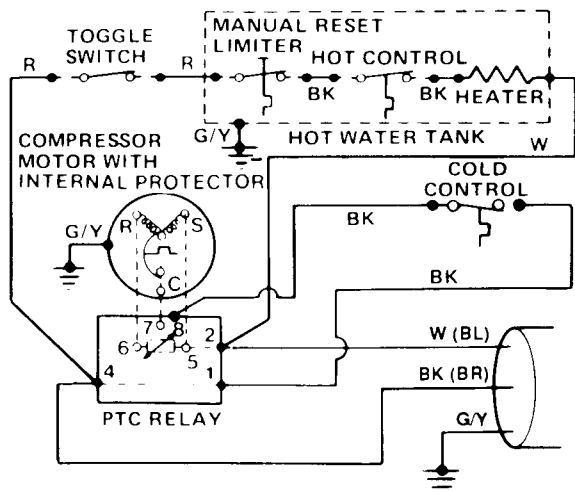
**ELECTRICAL DIAGRAM**



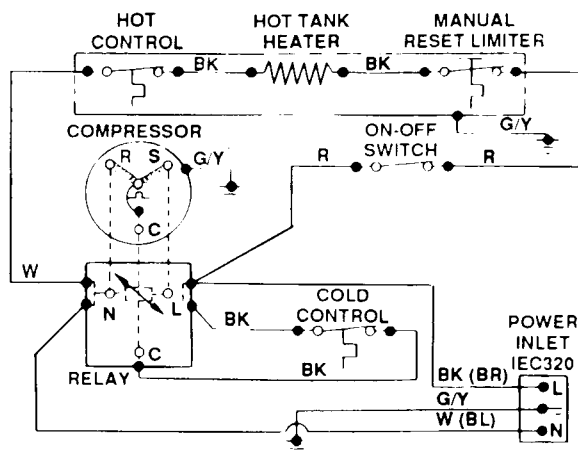
**BLF1EHS-100**



**BLF1EHS-D100**



**BLF1EHS-P100**



**BLF1EHSY-D100**

OASIS® & AQUARIUS® are registered trademarks of EBCO Manufacturing Company  
The trademarks Kelvinator® and White-Westinghouse® are used under license from White Consolidated Industries, Inc.

**EBCO** MANUFACTURING COMPANY

265 N. Hamilton Rd. • P.O. Box 13150 • Columbus, OH 43213-0150 • 614/861-1350 • Fax 614/861-5017

Printed in U.S.A.  
Copyright 1994 EBCO Manufacturing Co.