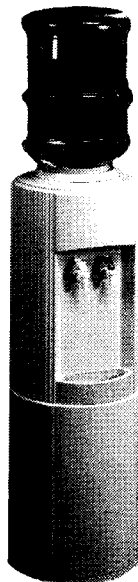
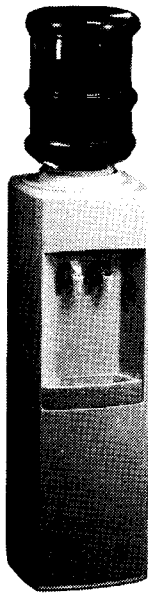




ILLUSTRATED PARTS BREAKDOWN

**MODELS: B1RRK-D101, B1RRPK-D101,
B1SRK-D101, B1SRPK-D101,
B1RRKY-D101, B1RRPKY-D101,
B1SRKY-D101, B1SRPKY-D101**



SPECIFICATIONS

**MODEL: B1RRK-D101 B1SRK-D101
B1RRPK-D101 B1SRPK-D101**

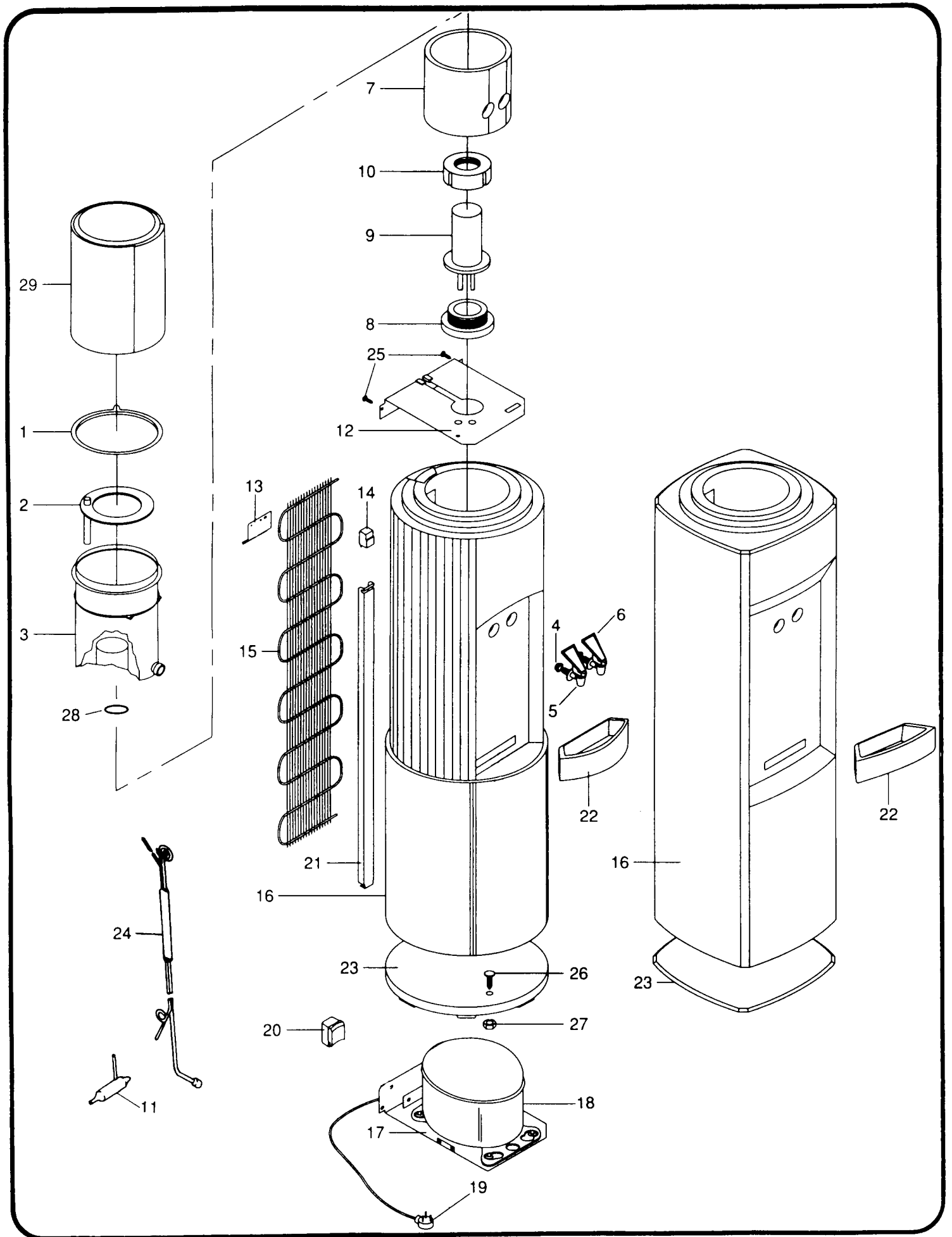
Voltage	115 VAC ± 10%/1PH/60 Hz
Size	
B1RRK-D, B1RRPK-D	38" H., 13" D.
B1SRK-D, B1SRPK-D	38" H., 12½ W., 12½ D.
Shipping Weight (Approx)	33 LBS
Cold Water Capacity*	.5 GPH
Compressor	1/20 HP
Compressor (Full Load)	1.2 AMPS
Refrigerant	R-134A
Refrigerant Charge	1.6 OZ (45 GRAMS)

**MODEL: B1RRKY-D101 B1SRKY-D101
B1RRPKY-D101 B1SRPKY-D101**

Voltage	220-240 VOLT, 50/60 Hz.
Size	
B1RRKY-D, B1RRPKY-D	38" H., 13" D.
B1SRKY-D, B1SRPKY-D	38" H., 12-1/2" W., 12-1/2" D.
Shipping Weight (Approx)	33 LBS.
Cold Water Capacity*	.5 GPH
Compressor	1/20 HP
Compressor (Full Load)	.6 AMPS
Refrigerant Type	R-134A
Refrigerant Charge	1.6 OZ (45 GRAMS)

*A.R.I. ratings: room temperature 90°F, supply water temperature 90°F, drinking water temperature 50°F.

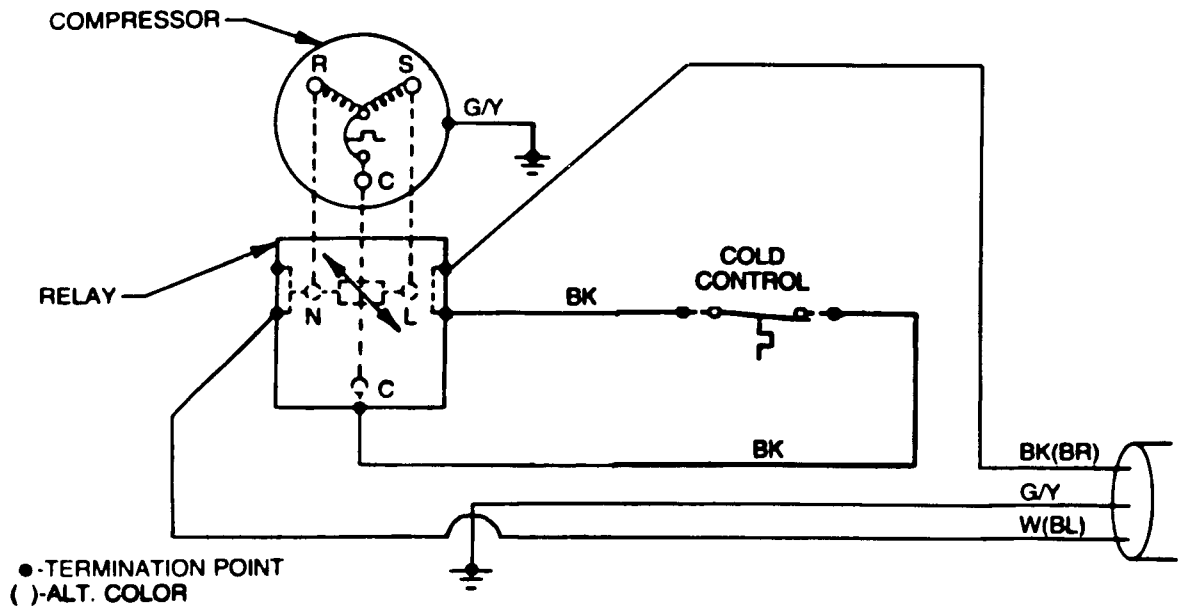
Specifications subject to change without notice.



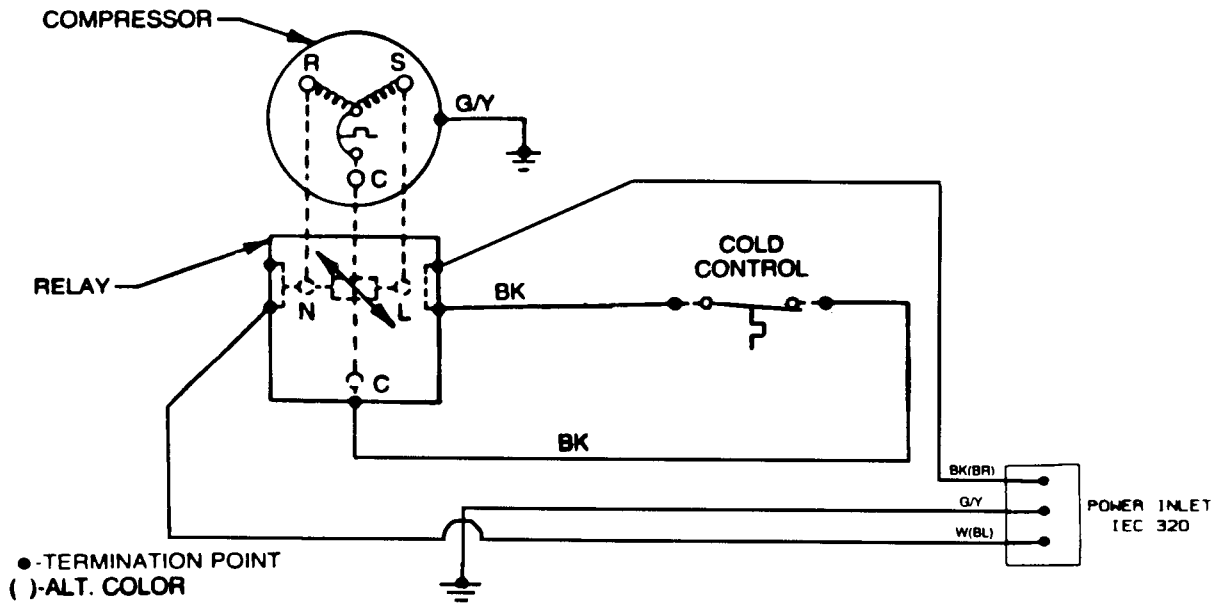
PARTS LIST

ITEM NO.	DESCRIPTION	B1RRK-D101 B1RRPK-D101	B1SRK-D101 B1SRPK-D101	B1RRKY-D101 B1RRPKY-D101	B1SRKY-D101 B1SRPKY-D101
1	Dust Cover	029536-001	029536-001	029536-001	029536-001
2	Baffle	031371-002	031371-002	031371-002	031371-002
3	Reservoir	031528-003	031528-003	031528-003	031528-003
4	Gasket, Faucet	031429-001	031429-001	031429-001	031429-001
5	Faucet, Cook WHI/WHI	032052-001	032052-001	032052-001	032052-001
6	Faucet, Cold WHI/BLU	032052-002	032052-002	032052-002	032052-002
7	Insulation, Reservoir	031427-001	031427-001	031427-001	031427-001
8	Cap, Probe	031369-001	031369-001	031369-001	031369-001
9	Probe Assy W/ Heat Exchanger	031539-002	031539-002	031539-002	031539-002
10	Collar, Probe	031368-001	031368-001	031368-001	031368-001
11	Drier, Refrigerant	031593-002	031593-002	031593-002	031593-002
12	Shelf	031372-001	031372-001	031372-001	031372-001
13	Handle	029562-001	029562-001	029562-001	029562-001
14	Cold Control	027040-028	027040-028	027040-027	027040-027
15	Condenser	028357-002	028357-002	028357-002	028357-002
16	Cabinet Assy, WHI				
	Polycarbonate	031541-005	031689-007	031541-005	031689-007
	ABS	031541-006	031689-006	031541-006	031689-006
17	Base, Metal	031373-001	031373-001	031373-001	031373-001
18	Compressor Assy	031530-001	031530-001	031530-004	031530-004
19	Cord Assy, Power Supply	026540-042	026540-042		
	Power Inlet (50/60 Models) (Not Shown)			030325-003	030325-003
20	Relay	026867	026867	026309	026309
21	Strut	031374-001	031374-001	031374-001	031374-001
22	Drip Tray	031375-004	031581-004	031375-004	031581-004
23	Base, Cabinet	031577-001	031580-001	031577-001	031580-001
24	Heat Exchanger	030591-004	030591-004	030591-004	030591-004
25	Screw, Cabinet	026670-029	026670-029	026670-029	026670-029
26	Screw, Base	031578-001	031578-001	031578-001	031578-001
27	Nut, Base	031579-001	031579-001	031579-001	031579-001
28	O-Ring	030858-309	030858-309	030858-309	030858-309
Option					
29	Bottle Cover, WHI				
	Polycarbonate	031634-001	031635-001	031634-001	031635-001
	ABS	031634-003	031635-003	031634-003	031635-003

WIRING DIAGRAMS



MODEL: B1RRK-D101 B1SRK-D101
 B1RRPK-D101 B1SRPK-D101



MODEL: B1RRKY-D101 B1SRKY-D101
 B1RRPKY-D101 B1SRPKY-D101