



AQUARIUS
THE TACO MANUFACTURING CO.

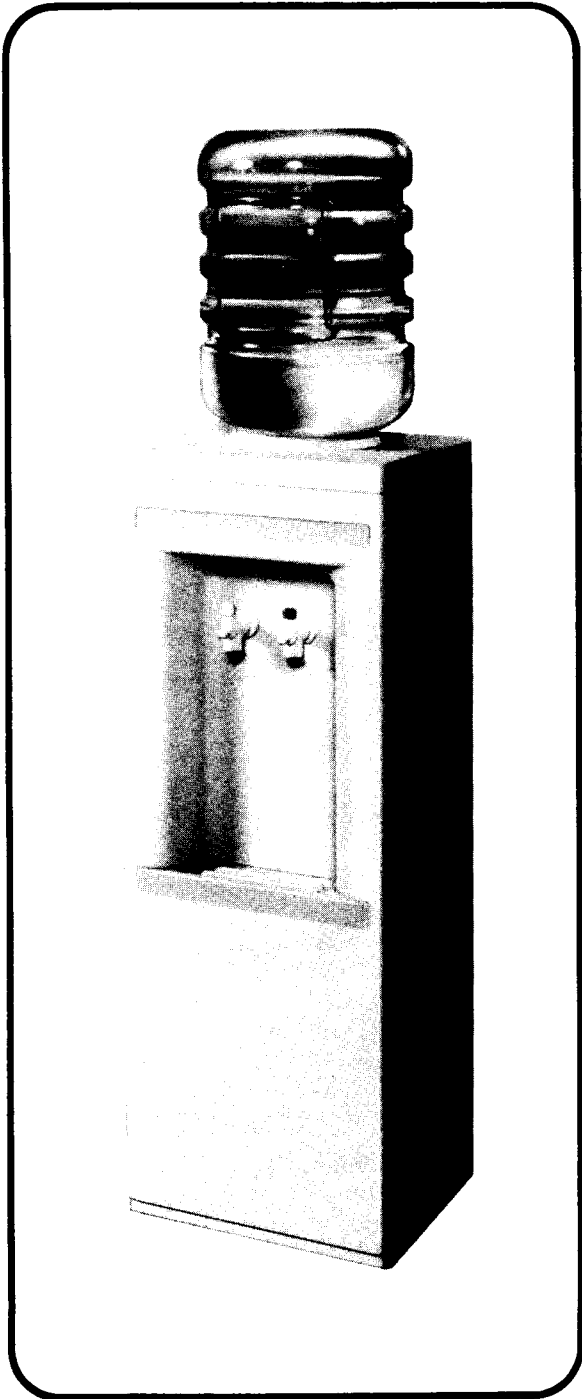
Kelvinator[®]

White-Westinghouse[®]

ILLUSTRATED PARTS BREAKDOWN

WATER COOLER MODELS

EBE1K,	BLF1EK
EBE1K-D,	BLF1EK-D
EBE1K-P,	BLF1EK-P
EBE1K-S,	BLF1EK-S
EBE1K-D5/6,	BLF1EKY-D



SPECIFICATIONS

FOR ALL MODELS EXCEPT EBE1K-D5/6 AND BLF1EKY-D

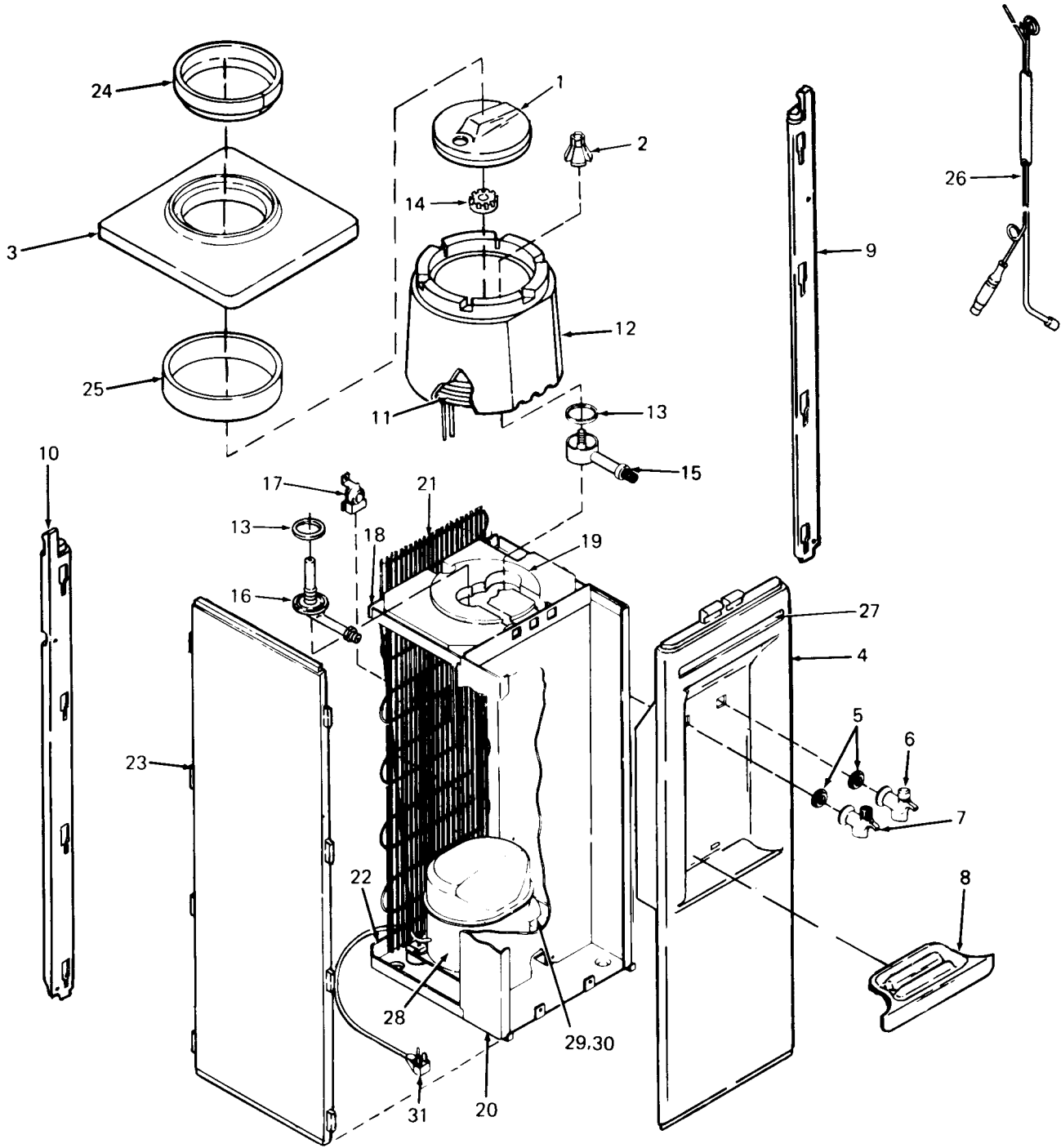
Voltage	115 VAC ±10%/1PH/60 Hertz
Size	38" H., 12" W., 12" D.
Shipping Weight (Approx)	45 LBS.
Cold Water Capacity*	0.6 GPH
Compressor	1/20 HP
Compressor (Full Load)	1.2 Amps
Refrigerant	R-12
Refrigerant Charge	1 OZ.

FOR MODELS EBE1K-D5/6 AND BLF1EKY-D ONLY

Voltage	220-240 VOLT 50/60 Hertz
Size	38" H., 12" W., 12" D.
Shipping Weight (Approx)	45 LBS.
Cold Water Capacity*	0.6 GPH
Compressor	1/20 HP
Compressor (Full Load)	.6 Amps
Refrigerant	R-12
Refrigerant Charge	1-1/8 OZ.

*A.R.I. Ratings: Room Temperature 90°F; Supply Water Temperature 90°F; Drinking Water Temperature 50°F.

Specifications subject to change without notice.



PARTS LIST

ITEM NO.	DESCRIPTION	EBE1K SERIES	BLF1EK SERIES
1	Baffle	028998-001	028998-001
2	Cold Cooling Tank Fitting	020485	020485
3	Top – White	028654-001	028654-001
	Top – Eggshell	---	028654-002
4	Front Panel – White (Does not include trimplate)	*028815-003	029745-002
	Front Panel – Eggshell (Does not include trimplate)	---	029745-005
5	Faucet Gasket – White	025568-003	025568-003
6	Cold Faucet – White w/Blue	025943-010	025943-010
	Cold Faucet – Almond w/Blue (Used w/eggshell panels)	---	025943-016
7	Cook Faucet – White	025943-012	025943-012
	Cook Faucet – Almond (Used w/eggshell panels)	---	025943-017
8	Drip Tray – Gray (Shallow tray used w/old style white front panel)	028653-001	---
	Drip Tray – Gray (Deeper tray used w/new style white front panel)	---	029740-001
	Drip Tray – Tan (Used w/eggshell panels)	---	029740-002
9	Right Rear Corner Post – White	028651-001	028651-001
	Right Rear Corner Post – Eggshell	---	028651-002
10	Left Rear Corner Post – White	028652-001	028652-001
	Left Rear Corner Post – Eggshell	---	028652-002
11	Cooling Tank Assembly	027981-007	027981-007
12	Cooling Tank Insulation	027891-001	027891-001
13	Cook and Cold Water Outlet Tube Gasket	027139	027139
14	Cook Cooling Tank Fitting	028302-002	028302-002
15	Cold Water Outlet Tube	020484-002	020484-002
16	Cook Water Outlet Tube	028291-002	028291-002
17	Cold Control	027040-011	027040-001
18	Shelf	020501	020501
19	Shelf Insulation	028289-001	028289-001
20	Support Column	020507-005	020507-005
21	Short Condenser	028357-001	028357-001
22	Base	020513	020513
23	Side Panel – White	028648-001	028648-001
	Side Panel – Eggshell	---	028648-002
24	Water Guard Bottle Gasket – White	026757-003	---
25	Air Filter Ring	026972	---
26	Heat Exchanger Assembly	030926-004	030926-004
27	Trimplate – Oasis – Gray	028890-001	028890-001
	Trimplate – Oasis – Eggshell	---	029659-001
NOT SHOWN			
	Strain Relief Bushing (Service cord retainer)	019008	019008
	Speednut (Which holds side panel on)	026760	026760
	Compressor Clip	026996	026996
	Compressor Grommet	018566	018566
	Compressor Flat Washer	027484-001	027484-001
	Handle Assembly	029562-001	029562-001
	Dust Cover	029536-001	029536-001
ACCESSORY PART			
	Base Pan (Plastic floor guard)	---	030454-001

*This panel has been replaced by #029745-002 and requires the deeper drip tray #029740-001.

SEE PAGE 4 FOR COMPRESSORS AND SERVICE CORDS

COMPRESSORS AND SERVICE CORDS

USED ON MODELS EBE1K AND BLF1EK

28	*Compressor	027243-001
29	Relay	027267-001
30	Overload	027268-001
31	Service Cord	026540-010

USED ON MODELS EBE1K-P AND BLF1EK-P

28	*Compressor	028570-001
29	Relay	027709-002
30	Overload	Internal
31	Service Cord	026540-003

USED ON MODELS EBE1K-D AND BLF1EK-D

28	*Compressor	026868-001
29	Relay	026867
30	Overload	Internal
31	Service Cord	026540-003

USED ON MODELS EBE1K-S AND BLF1EK-S

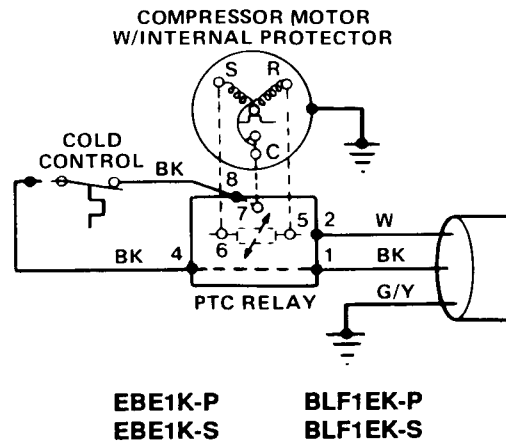
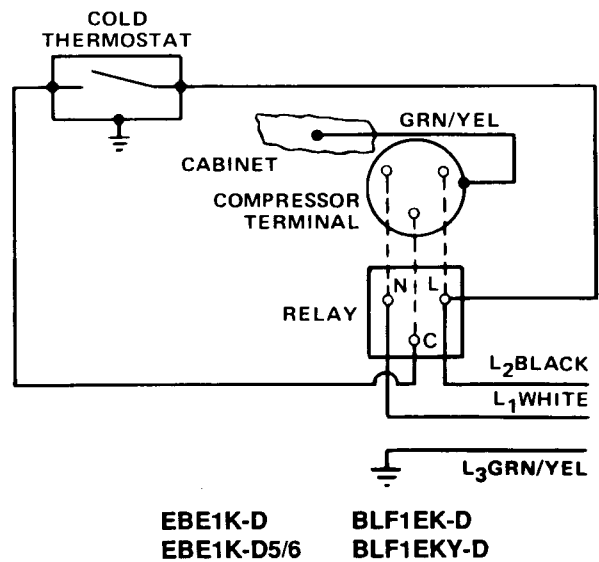
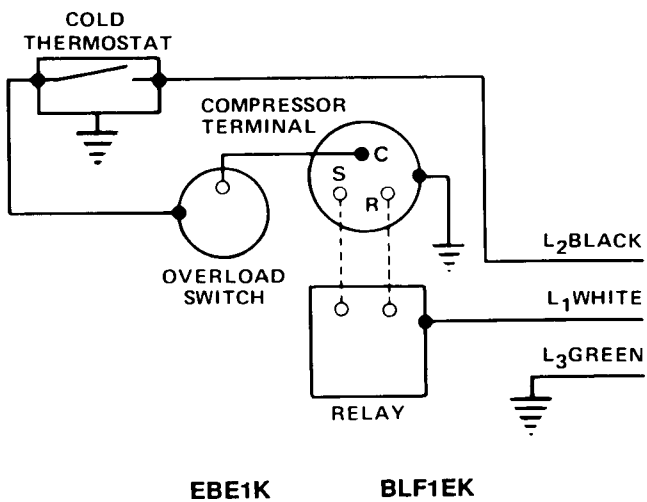
28	*Compressor	028297-001
29	Relay	027709-003
30	Overload	Internal
31	Service Cord	026540-003

USED ON MODELS EBE1K-D5/6 AND BLF1EKY-D

28	Compressor	026883-001
29	Relay	026309
30	Overload	Internal
31	Service Cord	028625-002
	Service Cord - UK	028925-002

*NOTE: Compressors include relay and overload.

ELECTRICAL DIAGRAM



OASIS® & AQUARIUS® are registered trademarks of EBCO Manufacturing Company.
The trademarks Kelvinator® and White-Westinghouse® are used under license from White Consolidated Industries, Inc.

EBCO® MANUFACTURING COMPANY

265 N. Hamilton Rd. • P.O. Box 13150 • Columbus, OH 43213-0150 • 614/861-1350 • Fax: 614/861-5017

© Copyright 1992 EBCO Manufacturing Co.