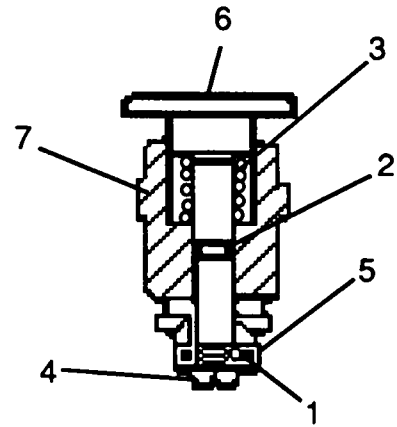


# PUSH BUTTON ASSEMBLY

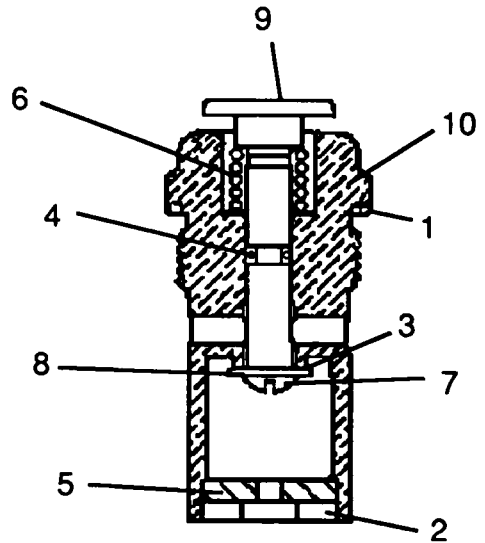
## PUSH BUTTON ASSEMBLY – 60-08140-51-XXX

REF NO	PART NUMBER	DESCRIPTION
1	10-06026-40-560	Seat Washer
2	10-08211-40-560	O-Ring
3	11-42258-42-550	Sleeve Washer
4	11-42239-35-550	Valve Spring
5	11-42264-42-550	Seat Washer Screw
6	16-42255-16-550	Retaining Cup
7	16-42262-51-550	Push Button Stem
8	41-08139-08-XXX	Valve Sleeve



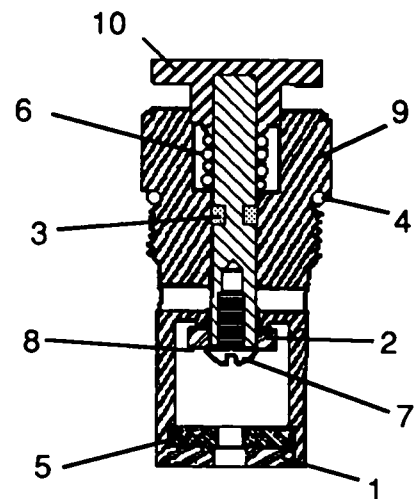
## PUSH BUTTON ASSEMBLY – 60-08240-51-XXX

REF NO	PART NUMBER	DESCRIPTION
1	11-27055-01-550	Gasket
2	10-03302-40-560	Sleeve Seat Washer
3	10-06026-40-560	Seat Washer
4	10-08211-40-560	O-Ring
5	11-42258-42-550	Sleeve Washer
6	11-42239-35-550	Valve Spring
7	11-42264-42-550	Seat Washer Screw
8	16-42255-16-550	Retaining Cup
9	16-42262-51-550	Push Button Stem
10	41-08141-08-XXX	Valve Sleeve



## PUSH BUTTON ASSEMBLY – 60-15168-51-550

REF NO	PART NUMBER	DESCRIPTION
1	10-03302-40-560	Sleeve Seat Washer
2	10-06026-40-560	Seat Washer
3	10-08211-40-560	O-Ring
4	10-14203-40-550	O-Ring
5	11-42258-42-550	Sleeve Washer
6	11-42240-35-550	Valve Spring
7	11-42264-42-550	Seat Washer Screw
8	16-42255-16-550	Retaining Cup
9	16-42250-16-550	Valve Sleeve
10	41-42262-42-550	Push Button Stem
11	92445C	Stem Repair Kit*



\* Look for detailed schematic of this part in **Detailed Parts Section**  
 XXX - See Page I-A for Color Chart

**To order parts, contact your nearest Halsey Taylor wholesaler or representative.**

*Continued product improvement makes specifications subject to change without notice.*

*Halsey Taylor.*