

**Single Lever Deluxe Kitchen Faucets
Models LK4380 Series (Less Spray)
and LK4381 Series (With Spray)**

ELKAY®

SPECIFICATIONS

GENERAL

LK4380FAL single lever top mount kitchen faucet with 10" cast brass swing spout. Restricted flow swivel aerator. Spout and handle finished in almond epoxy. Polished brass dome, round base and aerator. Removable cartridge. Temperature and flow controlled by one movement of the single lever handle. All operating parts are replaceable from above deck. 3/8" O.D. copper supply tubes with 1/2" I.P.S. adapters. Ship. Wt. 6-1/2 lbs.

LK4381FAL same as LK4380FAL except with retractable almond spray head with polished brass trim ring, spray nest with polished brass escutcheon ring. Ship. Wt. 7 lbs.

LK4380FBK same as LK4380FAL except spout and handle are finished in black epoxy. Ship. Wt. 6-1/2 lbs.

LK4381FBK same as LK4380FBK except with retractable black spray head with polished brass trim ring, spray nest with polished brass escutcheon ring. Ship. Wt. 7 lbs.

LK4380FWH same as LK4380FAL except spout and handle are finished in white epoxy. Ship. Wt. 6-1/2 lbs.

LK4381FWH same as LK4380FWH except with retractable white spray head with polished brass trim ring, spray nest with polished brass escutcheon ring. Ship. Wt. 7 lbs.

LK4380FCR same as LK4380FAL except spout and handle are finished in heavy chrome plate. Ship. Wt. 6-1/2 lbs.

LK4381FCR same as LK4380FCR except with retractable black spray head with polished brass trim ring, spray nest with polished brass escutcheon ring. Ship. Wt. 7 lbs.

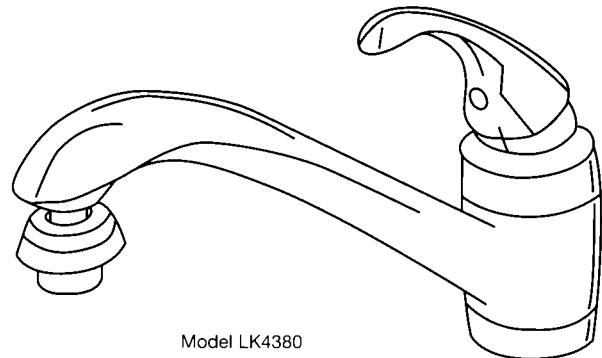
LK4380 models require one faucet hole.

LK4381 models require two faucet holes.

MAXIMUM FLOW RATE

2.5 GPM/9.5 L/min AT 80 P.S.I.G.

2.2 GPM/8.3 L/min AT 60 P.S.I.G.



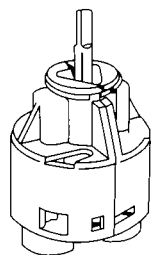
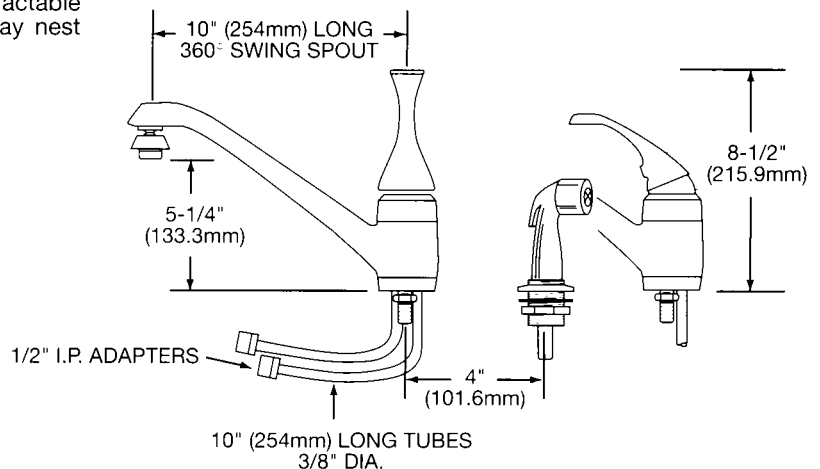
Model LK4380



These faucets are ADA compliant.



These faucets are classified by Underwriters Laboratories Inc. to **ANSI/NSF61** for residential use.



CARTRIDGE

Maintenance-free, drip-free washerless cartridge that is completely self-contained and easily removable.

A simple cam-activated movement of the diaphragm controls the flow of water with a feather-lite touch.

No springs. No wearing action. And no moving parts exposed to water.

U.S. Patent #4,357,957

ELKAY FAUCET/WATER DISPENSERS LIMITED WARRANTY

Elkay warrants its faucet and water dispensers to be free of defects in workmanship and material for a period of one year from the date of purchase. Replacement parts are available from Elkay for a nominal charge. Upon return of a defective part to Elkay during the warranty period with written notice of the claimed defect, Elkay will refund the replacement charge.

WASTE FITTINGS AND ACCESSORIES ARE NOT WARRANTED; OTHER WARRANTY CONDITIONS:

Our warranty does not cover product failure caused by abusive treatment, misuse, or damage due to handling or faulty installations. This warranty is extended only to the original consumer purchaser of the product. This warranty does not cover shipping costs, labor costs, or any other charges for such items as installation or replacement of the sink, diagnosis or replacement of any faucet or component part, or any other expense or loss.

ALL INCIDENTAL OR CONSEQUENTIAL DAMAGES ARE SPECIFICALLY EXCLUDED. NO ADDITIONAL WARRANTIES, EXPRESS OR IMPLIED, ARE GIVEN. ANY IMPLIED WARRANTY, INCLUDING ONE OF MERCHANTABILITY OR FITNESS FOR A PARTICULAR PURPOSE, IS LIMITED TO THE DURATION OF THIS WRITTEN WARRANTY.

Some states do not allow the exclusion or limitation of incidental or consequential damages or limitations on how long an implied warranty lasts, so the above limitations or exclusions may not apply to you.

This warranty gives you specific legal rights, and you may also have other rights which vary from state to state.

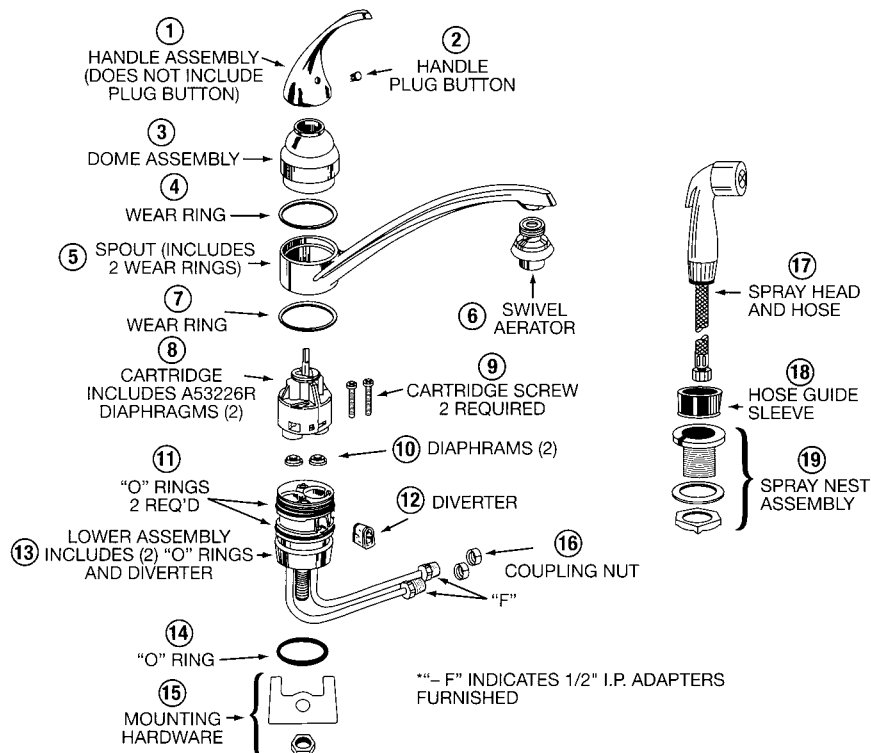
TO OBTAIN SERVICE UNDER WARRANTY

1. Write to: Elkay Manufacturing Company
Attention: Consumer Service
2222 Camden Court
Oak Brook, Illinois 60523
2. Include a letter containing the following information:
 - a. Date of purchase and installation
 - b. Description of nature of defect
 - c. Model number or description of model and/or component part if possible.

**Single Lever Deluxe Kitchen Faucets
Models LK4380 Series (Less Spray)
and LK4381 Series (With Spray)**



PARTS LIST



Key	Part Description	Part No.	LK4380FCR	LK4381FCR	LK4380FWH	LK4381FWH	LK4380FAL	LK4381FAL	LK4380FBK	LK4381FBK
1	Handle – Chrome (Includes A54470 Set Screw)	A53863	•	•						
	Handle – White	A54377			•	•				
	Handle – Almond	A54376					•	•		
	Handle – Black	A54378							•	•
2	Plug Button – Chrome	A53920	•	•						
	Plug Button – White	A54337			•	•				
	Plug Button – Almond	A54336					•	•		
	Plug Button – Black	A54338							•	•
3	Dome Assembly	A552190	•	•						
4	Wear Ring	A53862	•	•	•	•	•	•	•	•
5	Spout – Chrome	A53872R	•	•						
	Spout – White	A54374			•	•				
	Spout – Almond	A54373					•	•		
	Spout – Black	A54375							•	•
6	Swivel Aerator	LK3713	•	•						
	Swivel Aerator	LK3714			•	•	•	•	•	•
7	Wear Ring	A53862	•	•	•	•	•	•	•	•
8	Cartridge (Includes 2- A53226 Diaphragms)	A52399R	•	•	•	•	•	•	•	•
9	Screws (2 Req'd)	A52373	•	•	•	•	•	•	•	•
10	Diaphragm (Repl. Kit)	A53226R	•	•	•	•	•	•	•	•
11	"O" Ring	A52387	•	•	•	•	•	•	•	•
12	Divertter	A52404	•	•	•	•	•	•	•	•
13	Lower Assembly	A54116D	•	•	•	•	•	•	•	•
	Lower Assembly	A54117D		•		•		•		•
14	"O" Ring	A54057	•	•	•	•	•	•	•	•
15	Mounting Hardware	A54081	•	•	•	•	•	•	•	•
16	Coupling Nut Kit	A53048	•	•	•	•	•	•	•	•
17	Spray Head & Hose – Chrome	A51749D		•						
	Spray Head & Hose – White	A54352				•				
	Spray Head & Hose – Almond	A54351					•			
	Spray Head & Hose – Black	A54353								•
18	Hose Guide Sleeve	LK3717		•						
19	Hose Guide	A51493D		•		•		•		•