

**Dual Handle  
Kitchen Faucet  
Models LK230 and LK231**



**SPECIFICATIONS**

**GENERAL**

**LK230** Concealed mount mixing faucet with 9-1/2" (241mm) cast swing spout equipped with self cleaning aerator. Finished in heavy chrome plate. Removable cartridge controls. 1/2" (13mm) I.P. connections on 8" (203mm) centers. Requires 3 faucet holes. Ship. Wt. 6-3/8 lbs.

**LK231** Same as LK230 except with retractable spray and hose. Requires 4 faucet holes. Ship. Wt. 6-7/8 lbs.

Maximum Countertop Thickness: 1-1/4" (32mm).

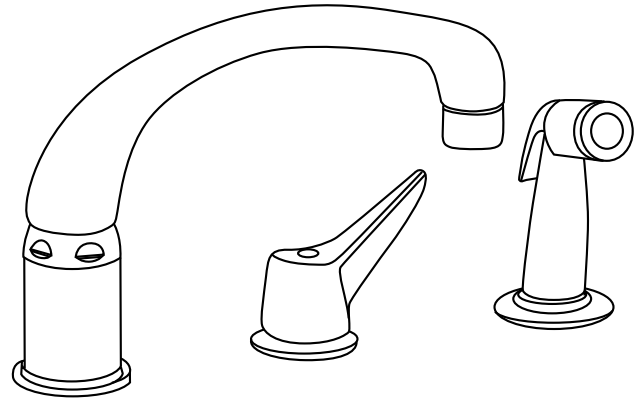
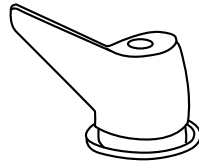


This faucet is ADA compliant.

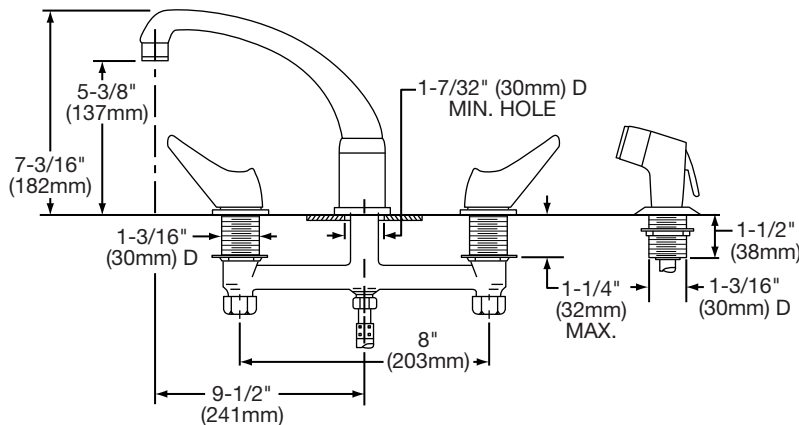


This faucet is classified by Underwriters Laboratories Inc. to **ANSI/NSF61** for residential use.

**MAXIMUM FLOW RATE**  
2.5 GPM/9.5 L/min AT 80 P.S.I.G.  
2.2 GPM/8.3 L/min AT 60 P.S.I.G.



Model LK231



**CARTRIDGE**

Maintenance-free, drip-free washerless cartridge that is completely self-contained and easily removable.

A simple cam-activated movement of the diaphragm controls the flow of water with a feather-lite touch. Full **off** to full **on** with a 120° turn. No springs. No wearing action and no moving parts exposed to water.

U.S. Patent #4,203,464

Canadian Patent #983,911



**ELKAY FAUCET/WATER DISPENSERS LIMITED WARRANTY**

Elkay warrants its faucet and water dispensers to be free of defects in workmanship and material for a period of one year from the date of purchase. Replacement parts are available from Elkay for a nominal charge. Upon return of a defective part to Elkay during the warranty period with written notice of the claimed defect, Elkay will refund the replacement charge.

**WASTE FITTINGS AND ACCESSORIES ARE NOT WARRANTED; OTHER WARRANTY CONDITIONS:**

Our warranty does not cover product failure caused by abusive treatment, misuse, or damage due to handling or faulty installations. This warranty is extended only to the original consumer purchaser of the product. This warranty does not cover shipping costs, labor costs, or any other charges for such items as installation or replacement of the sink, diagnosis or replacement of any faucet or component part, or any other expense or loss.

ALL INCIDENTAL OR CONSEQUENTIAL DAMAGES ARE SPECIFICALLY EXCLUDED. NO ADDITIONAL WARRANTIES, EXPRESS OR IMPLIED, ARE GIVEN. ANY IMPLIED WARRANTY, INCLUDING ONE OF MERCHANTABILITY OR FITNESS FOR A PARTICULAR PURPOSE, IS LIMITED TO THE DURATION OF THIS WRITTEN WARRANTY.

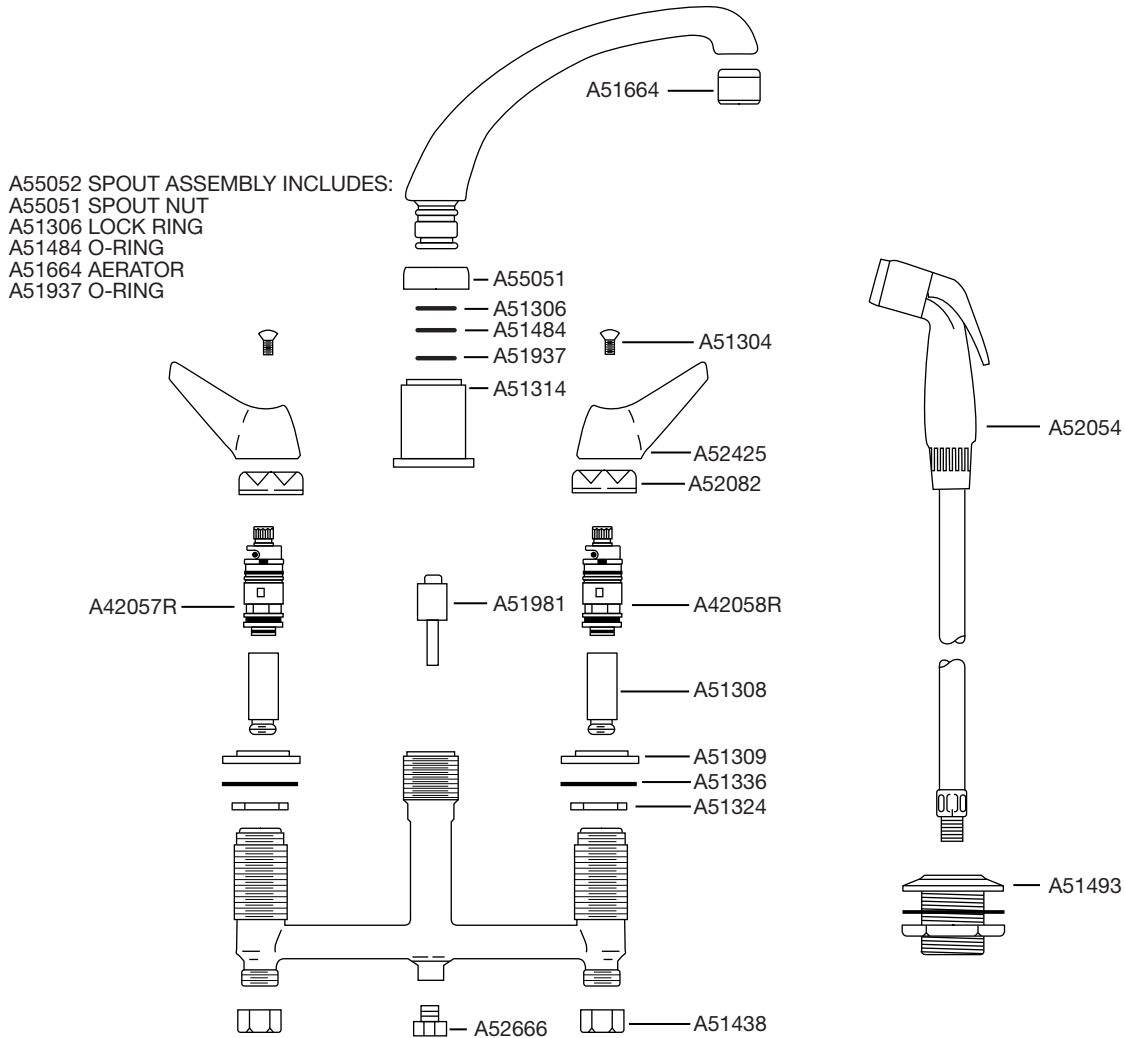
Some states do not allow the exclusion or limitation of incidental or consequential damages or limitations on how long an implied warranty lasts, so the above limitations or exclusions may not apply to you.

This warranty gives you specific legal rights, and you may also have other rights which vary from state to state.

**TO OBTAIN SERVICE UNDER WARRANTY**

1. Write to: Elkay Manufacturing Company  
Attention: Consumer Service  
2222 Camden Court  
Oak Brook, Illinois 60523
2. Include a letter containing the following information:
  - a. Date of purchase and installation
  - b. Description of nature of defect
  - c. Model number or description of model and/or component part if possible.

**PARTS LIST**



**PARTS FOR LK230 and LK231**

PART NUMBER	PART DESCRIPTION	PART NUMBER	PART DESCRIPTION
A42057R	Micracore – Hot	A51336	Washer, Steel
A42058R	Micracore – Cold	A51664	Aerator
A51304	Handle, Screw (Self Tapping)	A51438	Coupling Nut
A51306	Spout Lock Ring	A51484	Spout O-Ring
A51308	Waterway Sleeve	A51493	Hose Guide Assembly (Nest)
A51309	Locknut, Top	A51981	Diverter
A51314	Escutcheon, Center	A51937	Spout O-Ring
A51324	Locknut, Bottom	A52054	Spray Head & Hose Assembly
A55051	Spout Nut	A52082	Cap
A55052	Spout Assembly Includes: A55051, A51306, A51484, A51664, A51937	A52425	Handle
		A52666	Hex Plug