

Dual Handle Hospitality Faucet Model LK2230

ELKAY®

SPECIFICATIONS

GENERAL

LK2230 Dual handle, bar/hospitality faucet. Brass base, brass forged wing handles (7-7/8" overall handles). Finished in heavy chrome plate that exceeds U.S. Government specifications. Removable valve cartridges. All operating parts are replaceable from above deck. 3/8" copper tubing connections. Requires single faucet hole. Ship. Wt. 5-1/2 lbs.

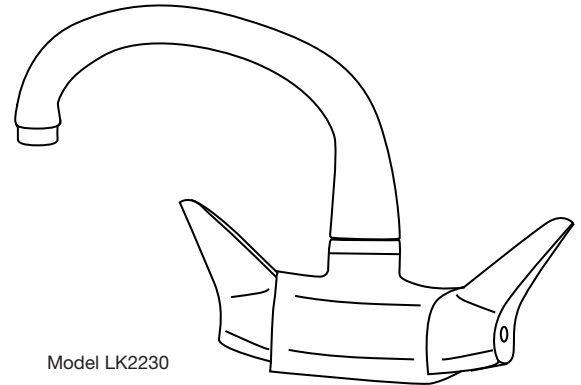


These faucets are classified by Underwriters Laboratories Inc. to **ANSI/NSF61** for residential use.

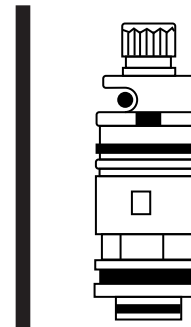
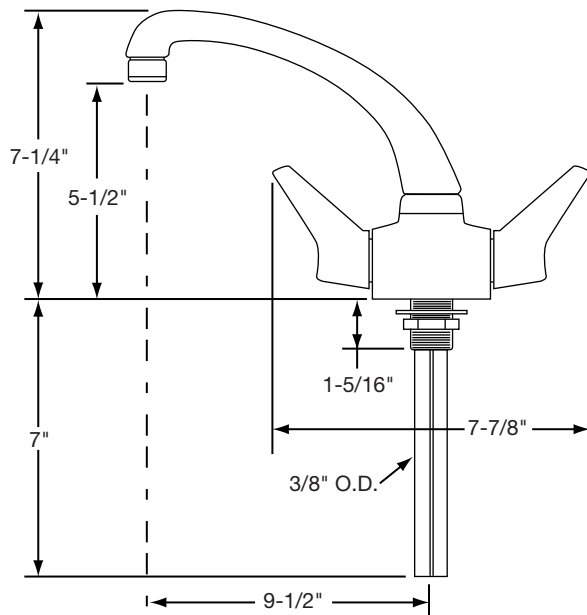
MAXIMUM FLOW RATE

2.5 GPM/9.5 L/min AT 80 P.S.I.G.

2.2 GPM/8.3 L/min AT 60 P.S.I.G.



Model LK2230



CARTRIDGE

Maintenance-free, drip-free washerless cartridge that is completely self-contained and easily removable.

A simple cam-activated movement of the diaphragm controls the flow of water with a feather-lite touch. Full **off** to full **on** with a 120° turn. No springs. No wearing action and no moving parts exposed to water.

U.S. Patent #4,203,464

Canadian Patent #983, 911

ELKAY FAUCET/WATER DISPENSERS LIMITED WARRANTY

Elkay warrants its faucet and water dispensers to be free of defects in workmanship and material for a period of one year from the date of purchase. Replacement parts are available from Elkay for a nominal charge. Upon return of a defective part to Elkay during the warranty period with written notice of the claimed defect, Elkay will refund the replacement charge.

WASTE FITTINGS AND ACCESSORIES ARE NOT WARRANTED; OTHER WARRANTY CONDITIONS:

Our warranty does not cover product failure caused by abusive treatment, misuse, or damage due to handling or faulty installations. This warranty is extended only to the original consumer purchaser of the product. This warranty does not cover shipping costs, labor costs, or any other charges for such items as installation or replacement of the sink, diagnosis or replacement of any faucet or component part, or any other expense or loss.

ALL INCIDENTAL OR CONSEQUENTIAL DAMAGES ARE SPECIFICALLY EXCLUDED. NO ADDITIONAL WARRANTIES, EXPRESS OR IMPLIED, ARE GIVEN. ANY IMPLIED WARRANTY, INCLUDING ONE OF MERCHANTABILITY OR FITNESS FOR A PARTICULAR PURPOSE, IS LIMITED TO THE DURATION OF THIS WRITTEN WARRANTY.

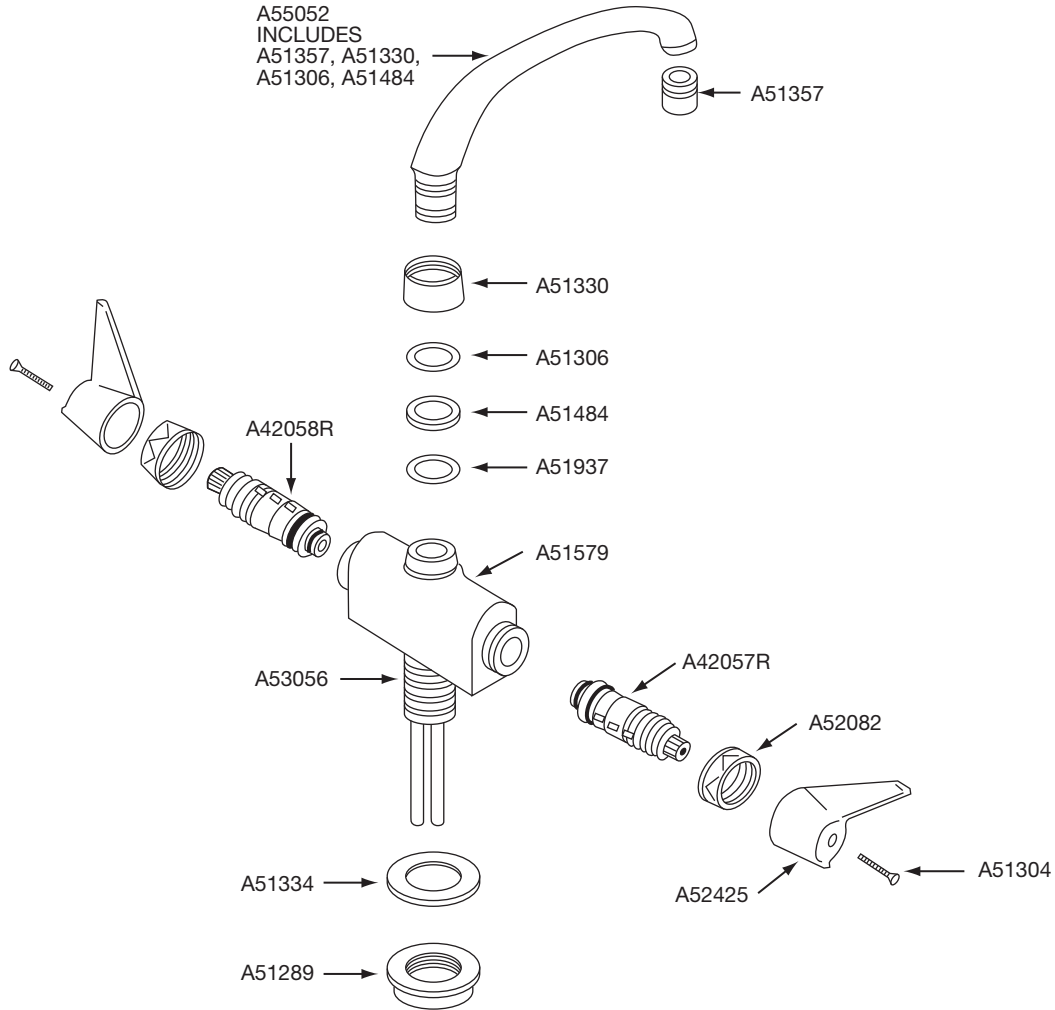
Some states do not allow the exclusion or limitation of incidental or consequential damages or limitations on how long an implied warranty lasts, so the above limitations or exclusions may not apply to you.

This warranty gives you specific legal rights, and you may also have other rights which vary from state to state.

TO OBTAIN SERVICE UNDER WARRANTY

1. Write to: Elkay Manufacturing Company
Attention: Consumer Service
2222 Camden Court
Oak Brook, Illinois 60523
2. Include a letter containing the following information:
 - a. Date of purchase and installation
 - b. Description of nature of defect
 - c. Model number or description of model and/or component part if possible.

PARTS LIST



PARTS FOR LK2230

PART NUMBER	PART DESCRIPTION	PART NUMBER	PART DESCRIPTION
A51289	Hold Down Nut	A55052	Spout Assembly
A42057R	Micracore – Cold	A51484	Spout O-Ring
A42058R	Micracore – Hot	A51579	Body Assembly
A51304	Handle Screw	A51937	Spout O-Ring
A51306	Snap Ring	A52082	Cap Nut
A51330	Spout Nut	A52425	Wing Handle
A51334	Washer	A53056	Shank (Body)
A51357	Aerator		